

「elite」

Products catalog



WINDOWS AND DOORS

MATERIALS &

Style

elitewindows.com

MATERIALS & *Style*



PROFILE

elite

Elite is dedicated to producing the highest quality doors and windows. For over 35 years, we have been working hard to ensure customer comfort with products attuned to customer needs and constantly enhanced through research and development.

Elite's seasoned employees are the secret to its manufacturing success. Our people work in two plants divided into 7 production areas for our various product lines, which allows us to process most orders in under 15 business days.

Thanks to our solid and reliable distribution network, our market is expanding mainly in Quebec and Ontario.

Table of Contents



TRADITION	5
Casement	
▶ Natural Wood	6
▶ Aluminum Cladding	7
Awning	
▶ Natural Wood	8
▶ Aluminum Cladding	9
Hung	
▶ Single or double Natural Wood	10
▶ Single or double Aluminum Cladding	11

HORIZON	13
Casement	
▶ Modular	14
▶ Structural	15
▶ 5 5/8" Integrated Brickmould	16
Awning	
▶ Modular	17
▶ Structural	18
▶ 5 5/8" Integrated Brickmould	19
Hung	
▶ Single	20
▶ Double	21
Slider	
▶ Single	22
▶ Double	23

HYBRID	25
Casement	
▶ Structural	26
Awning	
▶ Structural	27
Hung	
▶ Single	28
▶ Double	29
Slider	
▶ Single	30
▶ Double	31

PATIO DOORS	33
Standard Patio Doors	
▶ Wood and PVC DECKO CLASSIC	34
▶ All PVC DECKO HYBRID	35
Garden Patio Doors	
▶ Wood and PVC DECKO CLASSIC	36
▶ All PVC DECKO HYBRID	37

DOORS	39
Steel Doors	
▶ Single and Combined	40
▶ Double and Garden	41
Fiber Doors	
▶ Single and Combined	42
▶ Double and Garden	43

Table of Contents



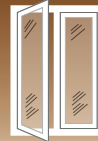
APPENDICES	45
Details ▪ Windows	
▶ Hardware	46
Details ▪ Doors	
▶ Handles, Glazing, Sills and Finishing	47
Mouldings Finishing	48
Architectural Elements	50
Energy Efficiency	
▶ Tradition Windows	51
▶ Horizon Windows	52
▶ Hybrid Windows	53
▶ Patio Doors	54
▶ Doors	55
▶ Energy Star Climate Zones	56
Products Care	57
Services	58
Warranties	59



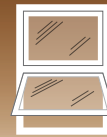
TRADITION

Wood Windows

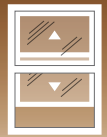
A product line blending classical design with the latest innovations. The wood construction of these windows gives them an elegant look, and the choice of dimensions and exterior claddings suits every taste, for renovation and new construction projects alike.



1



2



3

1 Casement

- ▶ Natural Wood
- ▶ Aluminum Cladding

2 Awning

- ▶ Natural Wood
- ▶ Aluminum Cladding

3 Hung

- ▶ Single or double | Natural Wood
- ▶ Single or double | Aluminum Cladding

Natural Wood Casement



These windows feature structural assembly, an inclined one-piece sill, weatherstripping, and sealed glass to ensure their quality, resistance, and superior energy efficiency. Their handy opening systems ensure effective ventilation and ease of care.

Casement windows can be used in both fixed and architectural units so they fit perfectly in a variety of window arrangements.

OPTIONS

Frames

- 130 mm x 130 mm (5 1/8" x 5 1/8")
- 130 mm x 159 mm (5 1/8" x 6 1/4")

Glass and spacers

- Double glazed
- Triple glazed

Grills

- Removable pine
- Integrated

Divided lights

- Simulated divided lights
 - 20 mm (3/4")
 - 32 mm (1 1/4")

TECHNICAL SPECIFICATIONS

Frame

130 mm (5 1/8") frame
159 mm (6 1/4") sill

Structural assembly

Sealed sill and side joints

- 1 One-piece sill, inclined 6°
- 2 Pine brickmould

Premium quality solid wood (pine), kiln dried

Sash

- 3 Weather stripping at fixed and opening parts

90° opening

Glass

- 4 Energy efficient double glazed glass with 13 mm (1/2") air space

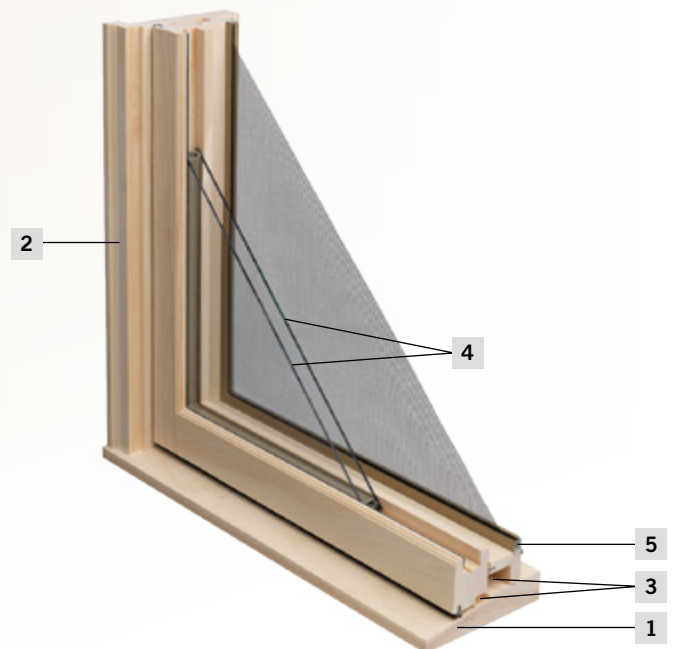
Screen

- 5 Bronze aluminum frame with fiberglass screen (optional white, black, cashmere, oil rub bronze and satin nickel)

Hardware

Truth hardware's *ENCORE* line with retractable bronze handle (optional white, black, cashmere, oil rub bronze and satin nickel)

Lock mechanism : Multi-point



Aluminum Cladding Casement



These windows feature structural assembly, an inclined one-piece sill, weatherstripping, and sealed glass to ensure their quality, resistance, and superior energy efficiency. Their handy opening systems ensure effective ventilation and ease of care.

With aluminum and wood blending, these windows offered a variety of arrangements possibilities and a wide selection of colors for exterior cladding.

OPTIONS

Frames

- 130 mm x 130 mm (5 1/8" x 5 1/8")
- 130 mm x 159 mm (5 1/8" x 6 1/4")
- 184 mm x 184 mm (7 1/4" x 7 1/4")

Glass and spacers

- Double glazed
- Triple glazed

Brickmoulds

- Extruded aluminum
- Number 9933, 9923, V-17227 or S-2544 (color selection)

Grills

- Removable pine with PVC cladding on half
- Integrated

Divided lights

- Simulated divided lights
 - 20 mm (3/4")
 - 32 mm (1 1/4")



Color selection

TECHNICAL SPECIFICATIONS

Frame

130 mm (5 1/8") frame
159 mm (6 1/4") sill

Structural assembly

Sealed sill and side joints

1 One-piece sill, inclined 6°
Premium quality solid wood (pine), kiln dried

2 Extruded aluminum brickmould

3 Extruded aluminum exterior cladding

Sash

4 Weather stripping at fixed and opening parts

90° opening

Glass

5 Energy efficient double glazed glass with 13 mm (1/2") air space

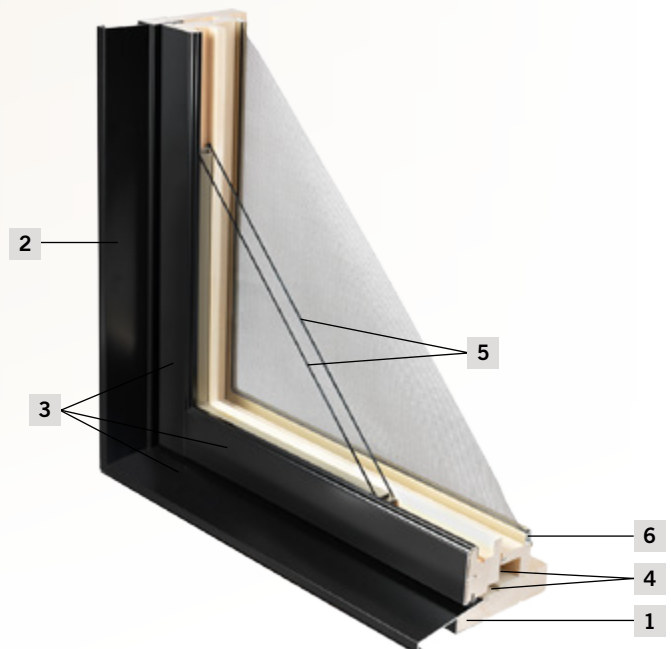
Screen

6 Bronze aluminum frame with fiberglass screen (optional white, black, cashmere, oil rub bronze and satin nickel)

Hardware

Truth hardware's *ENCORE* line with retractable bronze handle (optional white, black, cashmere, oil rub bronze and satin nickel)

Lock mechanism : Multi-point



Natural Wood Awning



These windows feature structural assembly, an inclined one-piece sill, weatherstripping, and sealed glass to ensure their quality, resistance, and superior energy efficiency. Their handy opening systems ensure effective ventilation and ease of care. Awning windows open out from the bottom using an adjustable lever system. This opening method offers excellent ventilation throughout the home, even when it's raining.

Awning windows can be used in both fixed and architectural units so they fit perfectly in a variety of window arrangements.

OPTIONS

Frames

- 130 mm x 130 mm (5 1/8" x 5 1/8")
- 130 mm x 159 mm (5 1/8" x 6 1/4")

Glass and spacers

- Double glazed
- Triple glazed

Grills

- Removable pine
- Integrated

Divided lights

- Simulated divided lights
 - 20 mm (3/4")
 - 32 mm (1 1/4")

TECHNICAL SPECIFICATIONS

Frame

130 mm (5 1/8") frame
159 mm (6 1/4") sill

Structural assembly

Sealed sill and side joints

- 1 One-piece sill, inclined 6°
- 2 Pine brickmould

Premium quality solid wood (pine), kiln dried

Sash

- 3 Weather stripping at fixed and opening parts

90° opening

Glass

- 4 Energy efficient double glazed glass with 13 mm (1/2") air space

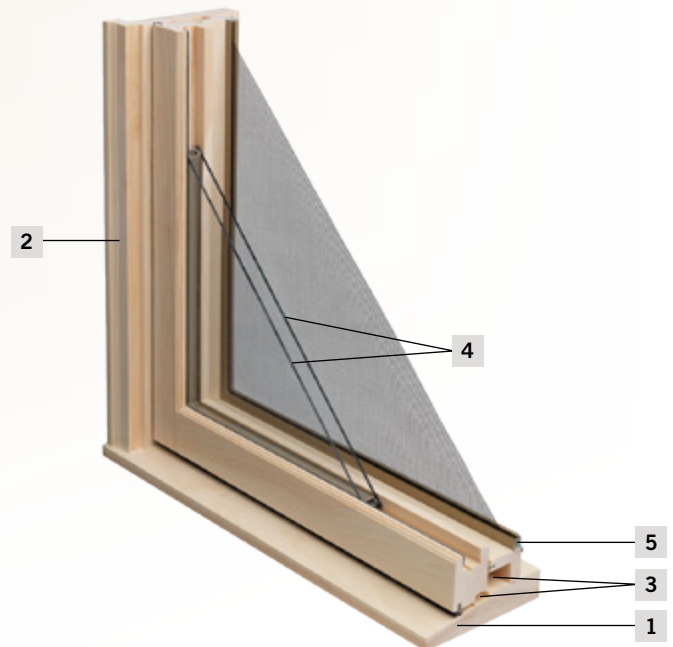
Screen

- 5 Bronze aluminum frame with fiberglass screen (optional white, black, cashmere, oil rub bronze and satin nickel)

Hardware

Truth hardware's *ENCORE* line with retractable bronze handle (optional white, black, cashmere, oil rub bronze and satin nickel)

Lock mechanism : Multi-point



Aluminum Cladding Awning



These windows feature structural assembly, an inclined one-piece sill, weatherstripping, and sealed glass to ensure their quality, resistance, and superior energy efficiency. Their handy opening systems ensure effective ventilation and ease of care. Awning windows open out from the bottom using an adjustable lever system. This opening method offers excellent ventilation throughout the home, even when it's raining.

With aluminum and wood blending, these windows offered a variety of arrangements possibilities and a wide selection of colors for exterior cladding.

OPTIONS

Frames

- 130 mm x 130 mm (5 1/8" x 5 1/8")
- 130 mm x 159 mm (5 1/8" x 6 1/4")
- 184 mm x 184 mm (7 1/4" x 7 1/4")

Glass and spacers

- Double glazed
- Triple glazed

Brickmoulds

- Extruded aluminum
- Number 9933, 9923, V-17227 or S-2544 (color selection)

Grills

- Removable pine with PVC cladding on half
- Integrated

Divided lights

- Simulated divided lights
 - 20 mm (3/4")
 - 32 mm (1 1/4")



Color
selection

TECHNICAL SPECIFICATIONS

Frame

130 mm (5 1/8") frame
159 mm (6 1/4") sill

Structural assembly

Sealed sill and side joints

1 One-piece sill, inclined 6°
Premium quality solid wood (pine), kiln dried

2 Extruded aluminum brickmould

3 Extruded aluminum exterior cladding

Sash

4 Weather stripping at fixed and opening parts

90° opening

Glass

5 Energy efficient double glazed glass with 13 mm (1/2") air space

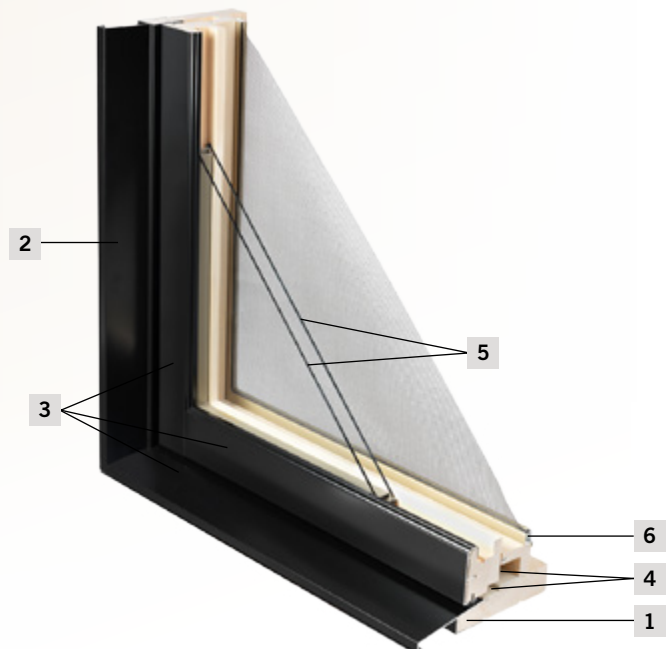
Screen

6 Bronze aluminum frame with fiberglass screen (optional white, black, cashmere, oil rub bronze and satin nickel)

Hardware

Truth hardware's *ENCORE* line with retractable bronze handle (optional white, black, cashmere, oil rub bronze and satin nickel)

Lock mechanism : Multi-point



Natural Wood

Single or Double Hung



*Double Hung:
Top sash also
operating*

Built entirely out of wood, these windows blend modern technology with the warmth of traditional materials to give your home the comfort and charm of yesteryear.

Single Hung windows include a fixed and a operating sash sliding vertically in frame. Double Hung windows include two operating sash that can be dragged in frame up and down. In both cases, the sashes can tilt-in for easy cleaning.

OPTIONS

Frame

- 130 mm x 130 mm (5 1/8" x 5 1/8")

Brickmoulds

- Pine on 4 sides

Grills

- Integrated

Divided lights

- Simulated divided lights
 - 20 mm (3/4")
 - 32 mm (1 1/4")

TECHNICAL SPECIFICATIONS

Frame

130 mm (5 1/8") frame

130 mm (5 1/8") sill

Modular assembly

Sealed sill and side joints

1 One-piece sill, inclined 10°

Premium quality solid wood (pine), kiln dried

2 Pine brickmould

Sash

3 Compression and flexible weather stripping providing a superior seal

Glass

4 Energy efficient double glazed glass with 16 mm (5/8") air space (triple sealed units not available)

Screen

5 Bronze aluminum frame with fiberglass screen

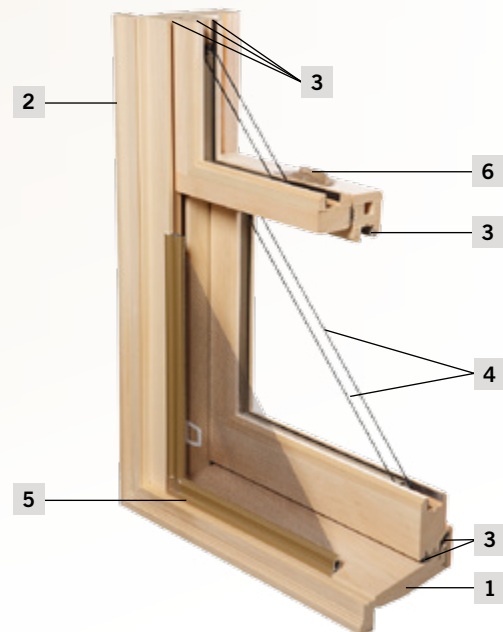
Mechanism

Drop-in balance

Hardware

6 Bronze colored dual action latches with safety lock

Bronze colored handles



Aluminum Cladding Single or Double Hung



Double Hung:
Top sash also
operating

These very elegant and decorative windows will give free rein to your creative inspiration and ensure your home is the reflection of your tastes and personality. With aluminum and wood blending, these windows offered a variety of arrangements possibilities and a wide selection of colors for exterior cladding.

Single Hung windows include a fixed and a operating sash sliding vertically in frame. Double Hung windows include two operating sash that can be dragged in frame up and down. In both cases, the sashes can tilt-in for easy cleaning.

OPTIONS

Frame

- 159 mm x 159 mm (6 1/4" x 6 1/4")

Brickmoulds

- Extruded aluminum on 4 sides
- Number 9933, 9923, V-17227 and S-2544 (color selection)

Grills

- Integrated

Divided lights

- Simulated divided lights
 - 20 mm (3/4")
 - 32 mm (1 1/4")



Color
selection

TECHNICAL SPECIFICATIONS

Frame

159 mm (6 1/4") frame
159 mm (6 1/4") sill

Modular assembly

Sealed sill and side joints

1 One-piece sill, inclined 10°
Premium quality solid wood (pine), kiln dried

2 Extruded aluminum brickmould

3 Extruded aluminum exterior cladding

Sash

4 Compression and flexible weather stripping providing a superior seal

Glass

5 Energy efficient double glazed glass with 16 mm (5/8") air space (triple sealed units not available)

Screen

6 Bronze aluminum frame with fiberglass screen

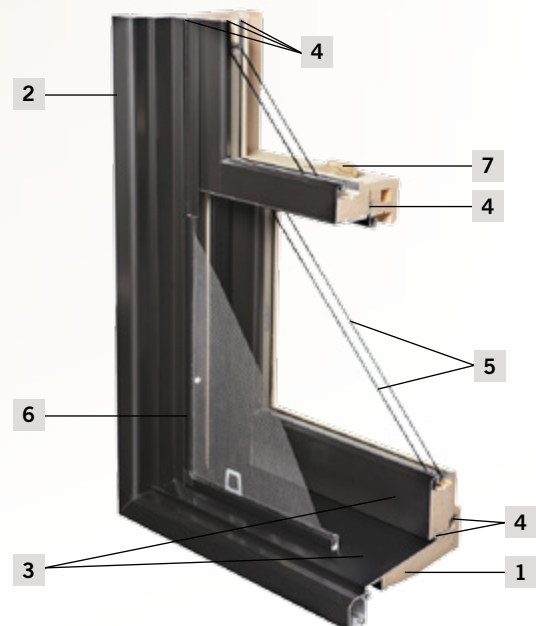
Mechanism

Drop-in balance

Hardware

7 Bronze colored dual action latches with safety lock

Bronze colored handles



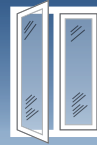




HORIZON

PVC Windows

A contemporary, practical, and extremely durable line of products available in a variety of formats that always meet your needs. Their PVC structure makes them easy to maintain and offers a superior seal and performance. In addition, the windows boast convenient features that makes them easy to clean and increase security.



1



2



3



4

1 Casement

- ▶ Modular
- ▶ Structural
- ▶ 5 5/8" Integrated Brickmould

3 Hung

- ▶ Single
- ▶ Double

2 Awning

- ▶ Modular
- ▶ Structural
- ▶ 5 5/8" Integrated Brickmould

4 Slider

- ▶ Single
- ▶ Double

Modular Casement



These superior quality windows with a decidedly modern flair will meet the most demanding requirements, whether you're looking for durability, energy efficiency, soundproofing or water and air infiltration. Their resistance to sunlight keeps them looking like new season after season. In addition to providing excellent ventilation, Casement windows offer a secure locking system and easy cleaning from the inside.

Casement windows fit easily into a variety of window arrangements and can be combined with fixed architectural units.

OPTIONS

Frame

- 114 mm (4 1/2") flush

Glass and spacers

- Double glazed
- Triple glazed

Mouldings

- Exterior installation mouldings
- Interior finishing mouldings

Grills

- Integrated

Divided lights

- Simulated divided lights
 - 25 mm (1")
 - 50 mm (2")



Can be painted the color of your choice

TECHNICAL SPECIFICATIONS

Frame

114 mm (4 1/2")

Modular assembly

- 1 All PVC window with 45° fusion-welded corners
- 2 Profiles with multiple air chambers for optimal thermal insulation
- 3 Triple weatherstripping on sash for maximum air and watertightness
- 4 Integrated 1/2" and 3/4" J-strips on the frame
- 5 Integrated water drainage system
- 6 Coextruded seal

Sash

30 degrees (#9601)

90° opening

Glass

- 7 Energy efficient double glazed glass with 16 mm (5/8") air space

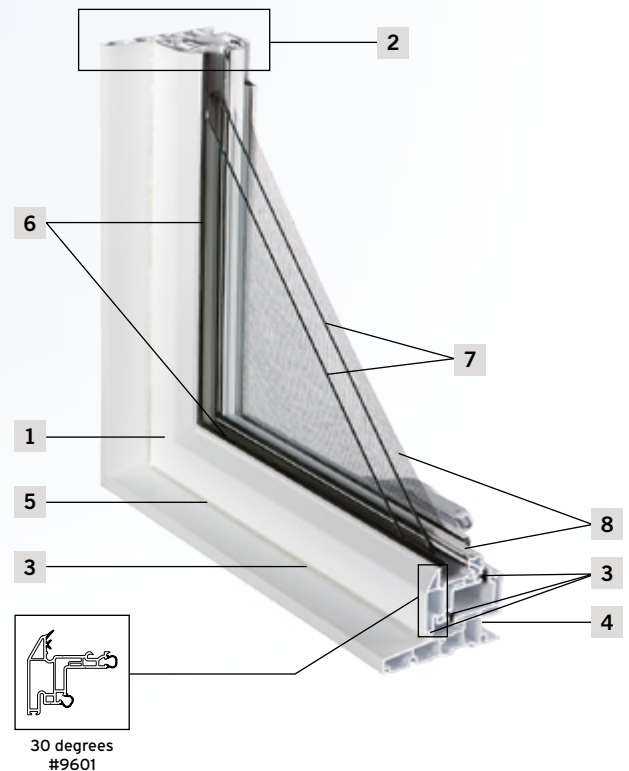
Screen

- 8 White aluminum frame with fiberglass screen

Hardware

Stainless steel LTS mechanism with folding handle

Lock mechanism : Multi-point



Structural Casement



These superior quality windows with a decidedly modern flair will meet the most demanding requirements, whether you're looking for durability, energy efficiency, soundproofing or water and air infiltration. Their resistance to sunlight keeps them looking like new season after season. In addition to providing excellent ventilation, Casement windows offer a secure locking system and easy cleaning from the inside. Casement windows fit easily into a variety of window arrangements and can be combined with fixed architectural units.

OPTIONS

Frames

- 114 mm (4 1/2") flush
- 143 mm (5 5/8") flush

Sashes

- 30 degrees (#9601)
- Regular (#9601XK)
- Contemporary (#9601XI)

Glass and spacers

- Double glazed
- Triple glazed

Mouldings

- Exterior installation mouldings
- Interior finishing mouldings

Grills

- Integrated

Divided lights

- Simulated divided lights
 - 25 mm (1")
 - 50 mm (2")



Can be painted the color of your choice

TECHNICAL SPECIFICATIONS

Frame

114 mm (4 1/2")

Structural assembly

- 1 All PVC window with 45° fusion-welded corners
- 2 Profiles with multiple air chambers for optimal thermal insulation
- 3 Triple weatherstripping on sash for maximum air and watertightness
- 4 Integrated 1/2" and 3/4" J-strips on the frame
- 5 Integrated water drainage system
- 6 Coextruded seal

Sash

30 degrees (#9601)

90° opening

Glass

- 7 Energy efficient double glazed glass with 16 mm (5/8") air space

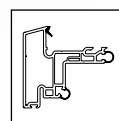
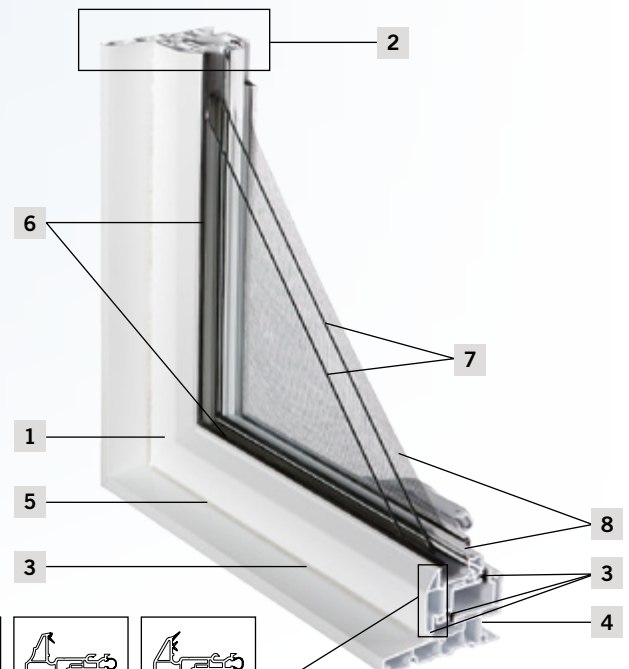
Screen

- 8 White aluminum frame with fiberglass screen

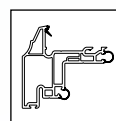
Hardware

Stainless steel LTS mechanism with folding handle

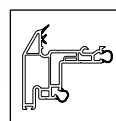
Lock mechanism: Multi-point



Contemporary
#9601XI



Regular
#9601XK



30 degrees
#9601

5 5/8" Integrated Brickmould Casement



These superior quality windows with a decidedly modern flair will meet the most demanding requirements, whether you're looking for durability, energy efficiency or against water and air infiltration. Their resistance to sunlight keeps them looking like new, season after season.

In addition to providing excellent ventilation, Casement windows boast a secure locking system and easy cleaning from inside.

OPTIONS

Frame

- 143 mm (5 5/8")

Sashes

- 30 degrees (#9601)
- Regular (#9601XK)
- Contemporary (#9601XI)

Glass and spacers

- Double glazed
- Triple glazed

Mouldings

- Exterior installation mouldings
- Interior finishing mouldings

Grills

- Integrated

Divided lights

- Simulated divided lights
- 50 mm (2")



Can be painted
the color of
your choice

TECHNICAL SPECIFICATIONS

Frame

143 mm (5 5/8")
integrated brickmould frame

Structural assembly

- 1 Integrated brick mold
- 2 Nailing fin
- 3 All PVC window with 45° fusion-welded corners
- 4 Profiles with multiple air chambers for optimal thermal insulation
- 5 Triple weatherstripping on sash for maximum air and watertightness
- 6 Integrated 1/2" and 3/4" J-strips on the frame
- 7 Integrated water drainage system
- 8 Coextruded seal

Sash

30 degrees (#9601)
90° opening

Glass

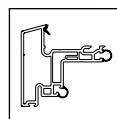
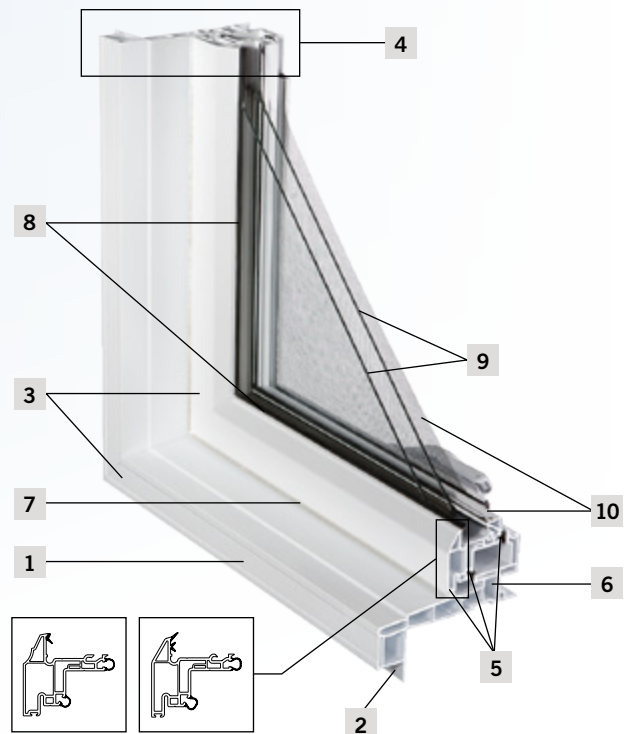
- 9 Energy efficient double glazed glass with 16 mm (5/8") air space

Screen

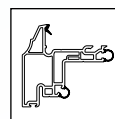
- 10 White aluminum frame with fiberglass screen

Hardware

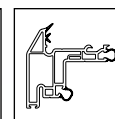
Stainless steel LTS mechanism with folding handle
Lock mechanism:
Multi-point



Contemporary
#9601XI



Regular
#9601XK



30 degrees
#9601

Modular Awning



These superior quality windows with a decidedly modern flair will meet the most demanding requirements, whether you're looking for durability, energy efficiency, soundproofing or water and air infiltration. Their resistance to sunlight keeps them looking like new season after season. Awning windows open out from the bottom using an adjustable lever system. This opening method offers excellent ventilation throughout the home, even when it's raining.

Awning windows fit easily into a variety of window arrangements and can be combined with fixed architectural units.

OPTIONS

Frame

- 114 mm (4 1/2") flush

Glass and spacers

- Double glazed
- Triple glazed

Mouldings

- Exterior installation mouldings
- Interior finishing mouldings

Grills

- Integrated

Divided lights

- Simulated divided lights
 - 25 mm (1")
 - 50 mm (2")



Can be painted the color of your choice

TECHNICAL SPECIFICATIONS

Frame

114 mm (4 1/2")

Modular assembly

- 1 All PVC window with 45° fusion-welded corners
- 2 Profiles with multiple air chambers for optimal thermal insulation
- 3 Triple weatherstripping on sash for maximum air and watertightness
- 4 Integrated 1/2" and 3/4" J-strips on the frame
- 5 Integrated water drainage system
- 6 Coextruded seal

Sash

30 degrees (#9601)

90° opening

Glass

- 7 Energy efficient double glazed glass with 16 mm (5/8") air space

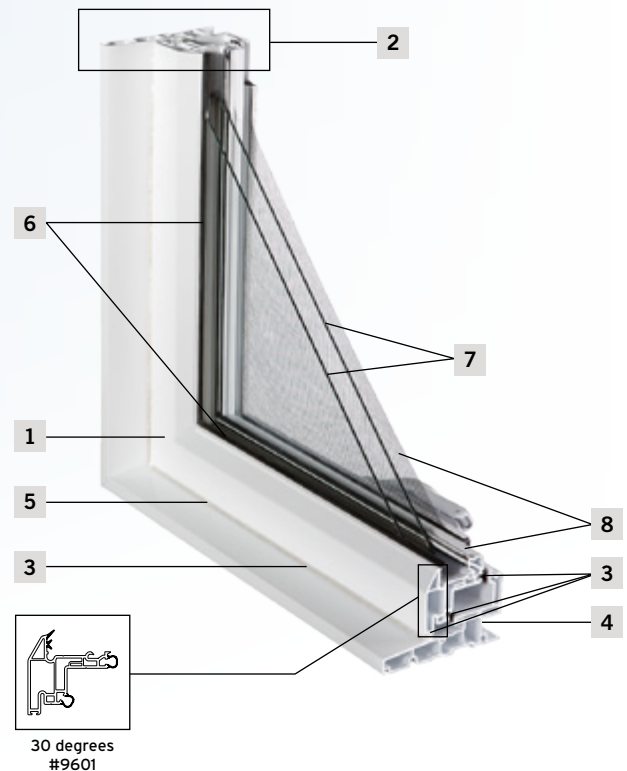
Screen

- 8 White aluminum frame with fiberglass screen

Hardware

Stainless steel LTS mechanism with folding handle

Lock mechanism : Multi-point



Structural Awning



These superior quality windows with a decidedly modern flair will meet the most demanding requirements, whether you're looking for durability, energy efficiency, soundproofing or water and air infiltration. Their resistance to sunlight keeps them looking like new season after season. Awning windows open out from the bottom using an adjustable lever system. This opening method offers excellent ventilation throughout the home, even when it's raining.

Awning windows fit easily into a variety of window arrangements and can be combined with fixed architectural units.

OPTIONS

Frames

- 114 mm (4 1/2") flush
- 143 mm (5 5/8") flush

Sashes

- 30 degrees (#9601)
- Regular (#9601XK)
- Contemporary (#9601XI)

Glass and spacers

- Double glazed
- Triple glazed

Mouldings

- Exterior installation mouldings
- Interior finishing mouldings

Grills

- Integrated

Divided lights

- Simulated divided lights
 - 25 mm (1")
 - 50 mm (2")



Can be painted
the color of
your choice

TECHNICAL SPECIFICATIONS

Frame

114 mm (4 1/2")

Structural assembly

- 1 All PVC window with 45° fusion-welded corners
- 2 Profiles with multiple air chambers for optimal thermal insulation
- 3 Triple weatherstripping on sash for maximum air and watertightness
- 4 Integrated 1/2" and 3/4" J-strips on the frame
- 5 Integrated water drainage system
- 6 Coextruded seal

Sash

30 degrees (#9601)

90° opening

Glass

- 7 Energy efficient double glazed glass with 16 mm (5/8") air space

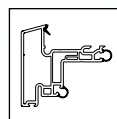
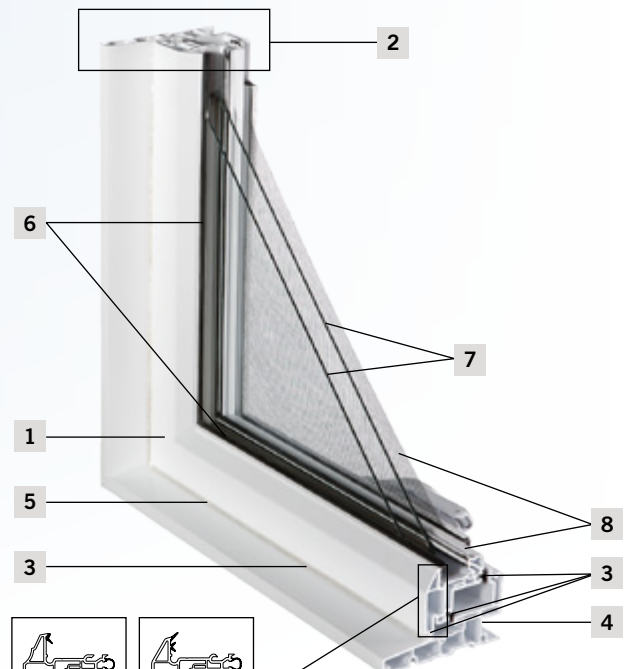
Screen

- 8 White aluminum frame with fiberglass screen

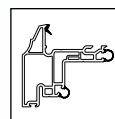
Hardware

Stainless steel LTS mechanism with folding handle

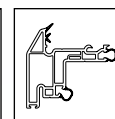
Lock mechanism:
Multi-point



Contemporary
#9601XI



Regular
#9601XK



30 degrees
#9601

5 5/8" Integrated Brickmould Awning



These superior quality windows with a decidedly modern flair will meet the most demanding requirements, whether you're looking for durability, energy efficiency, soundproofing or water and air infiltration. Their resistance to sunlight keeps them looking like new season after season.

Awning windows open out from the bottom using an adjustable lever system. In addition, they fit easily into a variety of window arrangements and can be combined with fixed architectural units.

OPTIONS

Frame

- 143 mm (5 5/8")

Sashes

- 30 degrees (#9601)
- Regular (#9601XK)
- Contemporary (#9601XI)

Glass and spacers

- Double glazed
- Triple glazed

Mouldings

- Exterior installation mouldings
- Interior finishing mouldings

Grills

- Integrated

Divided lights

- Simulated divided lights
 - 25 mm (1")
 - 50 mm (2")



Can be painted the color of your choice

TECHNICAL SPECIFICATIONS

Frame

143 mm (5 5/8")
integrated brickmould frame

Structural assembly

- 1 Integrated brick mold
- 2 Nailing fin
- 3 All PVC window with 45° fusion-welded corners
- 4 Profiles with multiple air chambers for optimal thermal insulation
- 5 Triple weatherstripping on sash for maximum air and watertightness
- 6 Integrated 1/2" and 3/4" J-strips on the frame
- 7 Integrated water drainage system
- 8 Coextruded seal

Sash

30 degrees (#9601)
90° opening

Glass

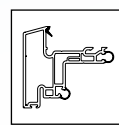
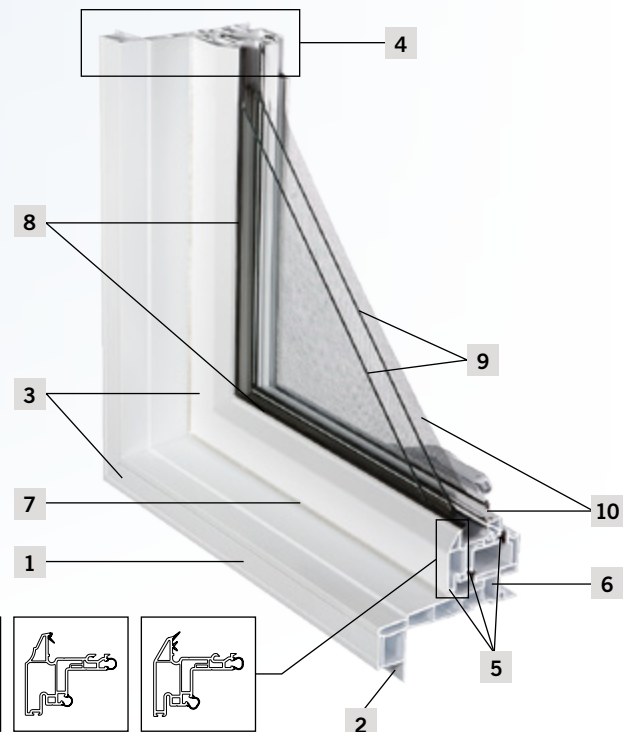
- 9 Energy efficient double glazed glass with 16 mm (5/8") air space

Screen

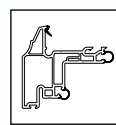
- 10 White aluminum frame with fiberglass screen

Hardware

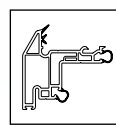
Stainless steel LTS mechanism with folding handle
Lock mechanism: Multi-point



Contemporary
#9601XI

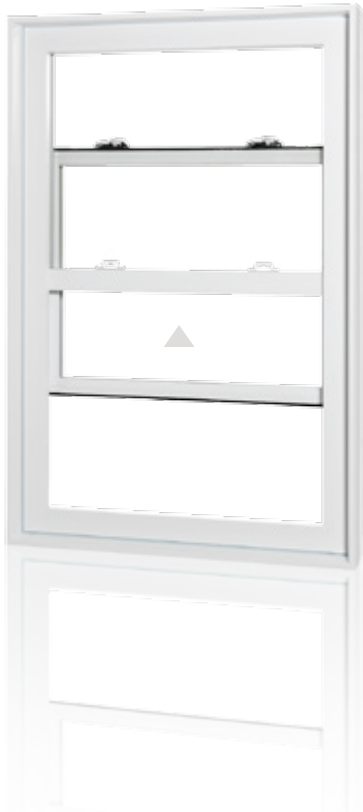


Regular
#9601XK



30 degrees
#9601

Single Hung



Built entirely out of PVC, these windows are practical and economical choice blending traditional charm style and modern performance.

Single Hung windows include a fixed and a operating sash sliding vertically in frame. In addition, this sashes can tilt-in for easy cleaning.

OPTIONS

Frames

- 143 mm (5 5/8") flush
- 114 mm (4 1/2") flush

Mouldings

- Exterior installation mouldings
- Interior finishing mouldings

Grills

- Integrated



Can be painted the color of your choice

TECHNICAL SPECIFICATIONS

Frame

143 mm (5 5/8")

Modular assembly

- 1 All PVC window with 45° fusion-welded corners
- 2 Profiles with multiple air chambers for optimal thermal insulation
- 3 Weatherstripping on sash for maximum air and watertightness
- 4 Integrated 1/2" and 3/4" J-strips on the frame
- 5 Integrated water drainage system
- 6 Center-meeting rail system for improved protection against air infiltration and greater security against break-ins

Sash

Contemporary (#98201)

Tilt-in sash for easy cleaning

Glass

- 7 Energy efficient double glazed glass with 16 mm (5/8") air space (triple sealed units not available)

Screen

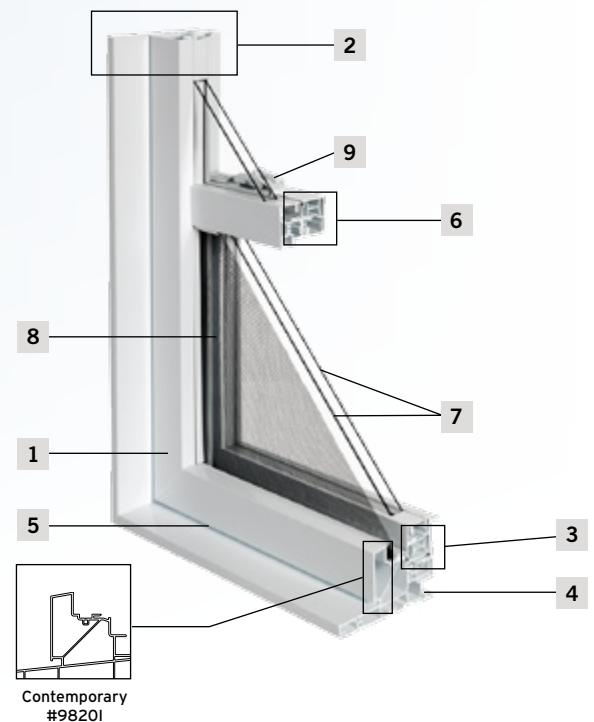
- 8 White aluminum frame with fiberglass screen

Mechanism

Drop-in balance

Hardware

- 9 Latches with safety lock



Double Hung



Built entirely out of PVC, these windows are a practical and economical choice blending traditional charm style and modern performance.

Double Hung windows include two operating sashes sliding vertically in frame. In addition, these sashes can tilt-in for easy cleaning.

OPTIONS

Frame

- 143 mm (5 5/8") flush

Mouldings

- Exterior installation mouldings
- Interior finishing mouldings

Grills

- Integrated



Can be painted the color of your choice

TECHNICAL SPECIFICATIONS

Frame

143 mm (5 5/8")

Modular assembly

- 1 All PVC window with 45° fusion-welded corners
- 2 Profiles with multiple air chambers for optimal thermal insulation
- 3 Weatherstripping on sash for maximum air and watertightness
- 4 Integrated 1/2" and 3/4" J-strips on the frame
- 5 Integrated water drainage system
- 6 Center-meeting rail system for improved protection against air infiltration and greater security against break-ins

Sashes

Contemporary (#9840I)

Tilt-in sashes for easy cleaning

Glass

- 7 Energy efficient double glazed glass with 16 mm (5/8") air space (triple sealed units not available)

Screen

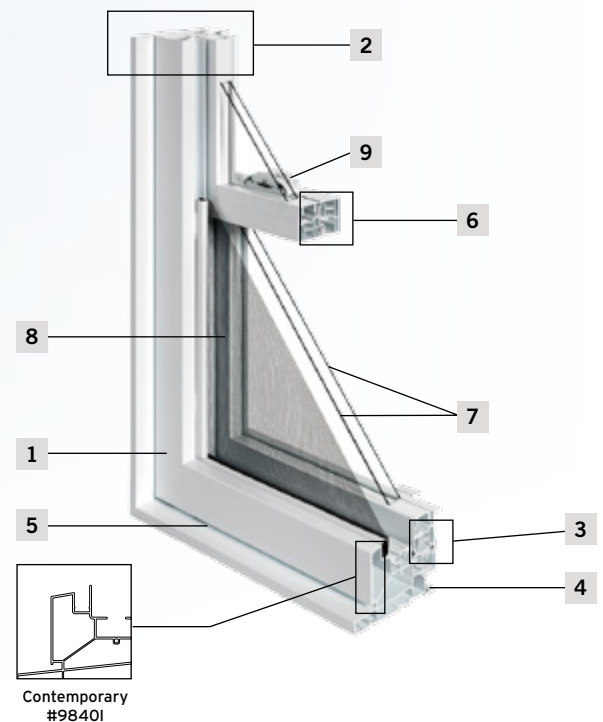
- 8 White aluminum frame with fiberglass screen

Mechanism

Drop-in balance

Hardware

- 9 Latches with safety lock



Single Slider

Built entirely out of PVC, these windows are practical and economical choice blending traditional charm style and modern performance.

Single Slider windows include a fixed and a operating sash sliding horizontally in frame.



OPTIONS

Frames

- 143 mm (5 5/8") flush
- 114 mm (4 1/2") flush

Mouldings

- Exterior installation mouldings
- Interior finishing mouldings

Grills

- Integrated



Can be painted
the color of
your choice

TECHNICAL SPECIFICATIONS

Frame

143 mm (5 5/8")

Modular assembly

- 1 All PVC window with 45° fusion-welded corners
- 2 Profiles with multiple air chambers for optimal thermal insulation
- 3 Weatherstripping on sash for maximum air and watertightness
- 4 Integrated 1/2" and 3/4" J-strips on the frame
- 5 Integrated water drainage system
- 6 Center-meeting rail system for improved protection against air infiltration and greater security against break-ins

Sash

Contemporary (#9820K)

Removable sash for easy cleaning

Glass

- 7 Energy efficient double glazed glass with 16 mm (5/8") air space (triple sealed units not available)

Screen

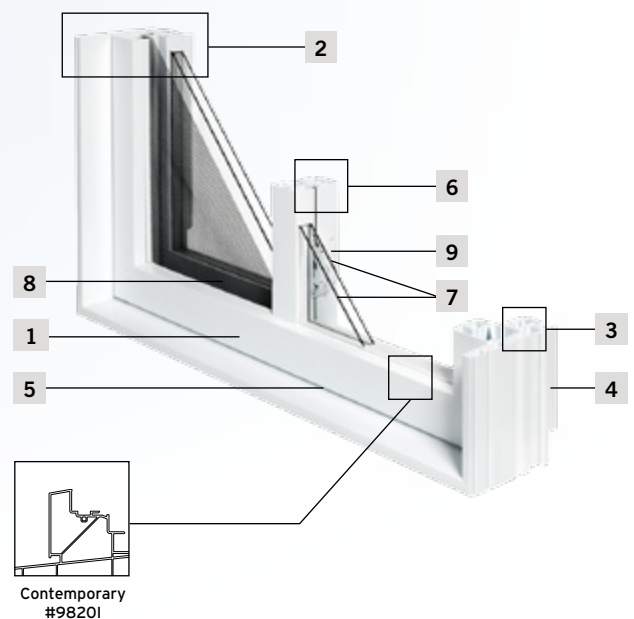
- 8 White aluminum frame with fiberglass screen

Mechanism

Slider on rollers

Hardware

- 9 Latches with safety lock



Double Slider



Built entirely out of PVC, these windows are practical and economical choice blending traditional charm style and modern performance.

Double Slider windows include two operating sashes sliding horizontally in frame. In addition, these sashes can tilt-in for easy cleaning.



OPTIONS

Frame

- 143 mm (5 5/8") flush

Mouldings

- Exterior installation mouldings
- Interior finishing mouldings

Grills

- Integrated



Can be painted the color of your choice

TECHNICAL SPECIFICATIONS

Frame

143 mm (5 5/8")

Modular assembly

- 1 All PVC window with 45° fusion-welded corners
- 2 Profiles with multiple air chambers for optimal thermal insulation
- 3 Weatherstripping on sash for maximum air and watertightness
- 4 Integrated 1/2" and 3/4" J-strips on the frame
- 5 Integrated water drainage system
- 6 Center-meeting rail system for improved protection against air infiltration and greater security against break-ins

Sashes

Contemporary (#9840K)

Removable sashes for easy cleaning

Glass

- 7 Energy efficient double glazed glass with 16 mm (5/8") air space (triple sealed units not available)

Screen

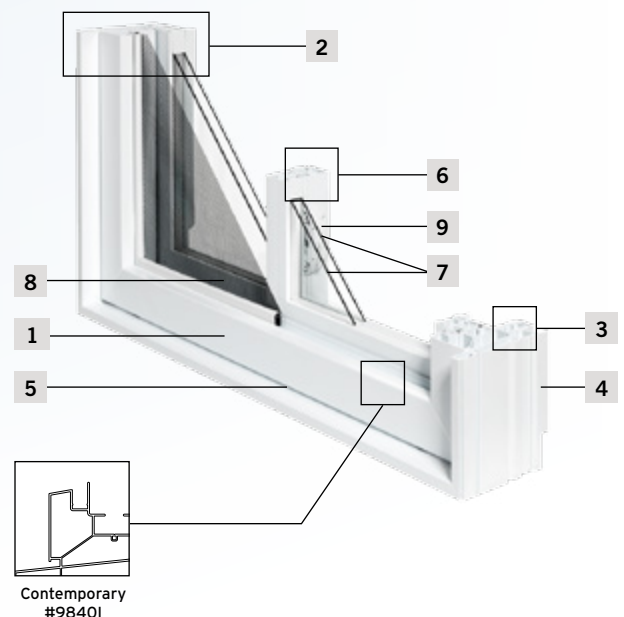
- 8 White aluminum frame with fiberglass screen

Mechanism

Sliders on rollers

Hardware

- 9 Latches with safety lock



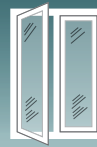




HYBRID

PVC and Aluminum Windows

Made of PVC and aluminum blending, this modern technology provides a remarkable durability, multiple arrangement options and a wide selection of colors for finishing and exterior cladding.



1

1 Casement

- ▶ Structural



2

2 Awning

- ▶ Structural



3

3 Hung

- ▶ Single
- ▶ Double



4

4 Slider

- ▶ Single
- ▶ Double

Structural Casement



This state-of-the-art design blends PVC and aluminum to offer remarkable durability and multiple arrangement options. It also comes in a variety of colors.

Hybrid windows provide optimal energy efficiency through their frame and multi-chamber sash design. Their resistance to sunlight keeps them looking like new, season after season.

The opening mechanism on Hybrid Casement windows provides effective ventilation and makes them easy to clean from inside your home. In addition, Multi-point locking system, easy-to-use, ensure outstanding security through their effective.

OPTIONS

Frames

- 114 mm (4 1/2")
- 143 mm (5 5/8")

Sashes

- Regular (#S-17007)
- Contemporary (#9001A4B)

Glass and spacers

- Double glazed
- Triple glazed

Mouldings

- Exterior brickmoulds
- Interior finishing mouldings
- Brickmoulds open for siding
- 4" brickmoulds open for siding

Grills

- Integrated

Divided lights

- Simulated divided lights
 - 50 mm (2")
- True divided lights
 - 50 mm (2")



TECHNICAL SPECIFICATIONS

Frame

143 mm (5 5/8")

Structural assembly

- 1 All PVC and aluminum window
- 2 Profiles with multiple air chambers for optimal thermal insulation
- 3 Triple weatherstripping on sash for maximum air and watertightness
- 4 Integrated 1/2" and 3/4" J-strips on the frame
- 5 Integrated water drainage system
- 6 Coextruded seal

Sash

Regular (#S-17007)

90° opening

Glass

- 7 Energy efficient double glazed glass with 16 mm (5/8") air space

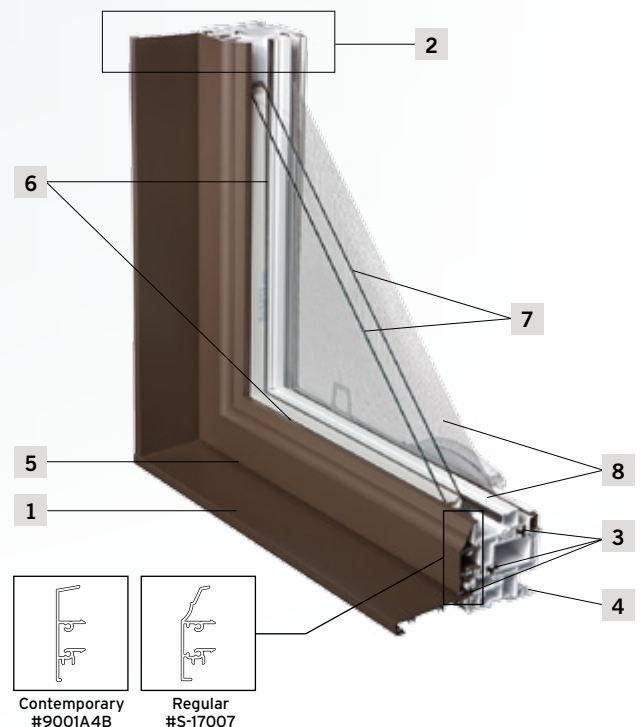
Screen

- 8 Colored aluminum frame with fiberglass screen

Hardware

Stainless steel LTS mechanism with folding handle

Lock mechanism : Multi-point



Structural Awning



This state-of-the-art design blends PVC and aluminum to offer remarkable durability and multiple arrangement options. It also comes in a variety of colors.

Hybrid windows provide optimal energy efficiency through their frame and multi-chamber sash design. Their resistance to sunlight keeps them looking like new, season after season.

Hybrid Awning windows offer excellent ventilation with an adjustable lever system that provides the opening out from the bottom. In addition, Multi-point locking system, easy-to-use, ensure outstanding security through their effective.

OPTIONS

Frames

- 114 mm (4 1/2")
- 143 mm (5 5/8")

Sashes

- Regular (#S-17007)
- Contemporary (#9001A4B)

Glass and spacers

- Double glazed
- Triple glazed

Mouldings

- Exterior brickmoulds
- Interior finishing mouldings
- Brickmoulds open for siding
- 4" brickmoulds open for siding

Grills

- Integrated

Divided lights

- Simulated divided lights
 - 50 mm (2")
- True divided lights
 - 50 mm (2")



TECHNICAL SPECIFICATIONS

Frame

143 mm (5 5/8")

Structural assembly

- 1 All PVC and aluminum window
- 2 Profiles with multiple air chambers for optimal thermal insulation
- 3 Triple weatherstripping on sash for maximum air and watertightness
- 4 Integrated 1/2" and 3/4" J-strips on the frame
- 5 Integrated water drainage system
- 6 Coextruded seal

Sash

Regular (#S-17007)

90° opening

Glass

- 7 Energy efficient double glazed glass with 16 mm (5/8") air space

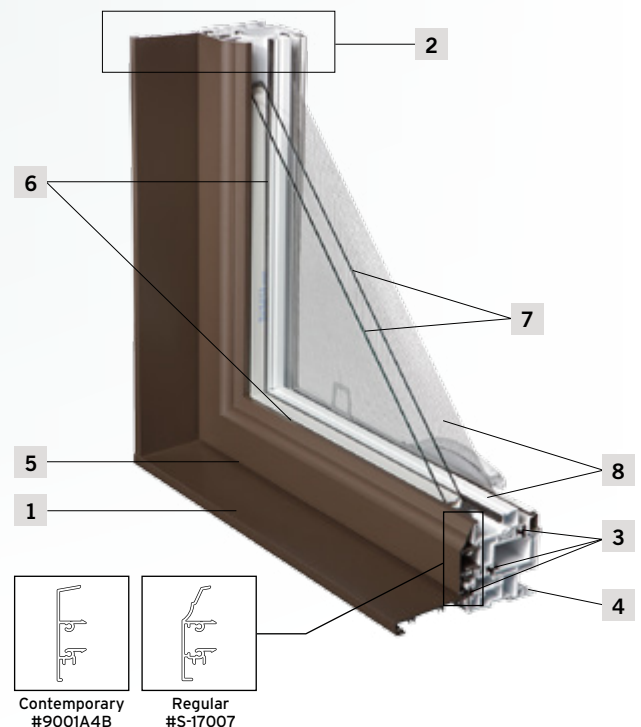
Screen

- 8 Colored aluminum frame with fiberglass screen

Hardware

Stainless steel LTS mechanism with folding handle

Lock mechanism : Multi-point



Single Hung



This state-of-the-art design blends PVC and aluminum to offer remarkable durability and multiple arrangement options. It also comes in a variety of colors.

Hybrid windows provide optimal energy efficiency through their frame and multi-chamber sash design. Their resistance to sunlight keeps them looking like new, season after season.

Single Hung windows include a fixed and a operating sash sliding vertically in frame. In addition, this sash can tilt-in for easy cleaning.

OPTIONS

Frames

- 114 mm (4 1/2")
- 143 mm (5 5/8")

Styles

- Regular (#S-17007)
- Contemporary (#9001A4B)

Mouldings

- Exterior brickmoulds
- Interior finishing mouldings
- Brickmoulds open for siding
- 4" brickmoulds open for siding

Grills

- Integrated

Divided lights

- Simulated divided lights
 - 50 mm (2")
- True divided lights
 - 50 mm (2")



Color selection

TECHNICAL SPECIFICATIONS

Frame

143 mm (5 5/8")

Modular assembly

- 1 All PVC and aluminum window
- 2 Profiles with multiple air chambers for optimal thermal insulation
- 3 Triple weatherstripping on sash for maximum air and watertightness
- 4 Integrated 1/2" and 3/4" J-strips on the frame
- 5 Integrated water drainage system
- 6 Center-meeting rail system for improved protection against air infiltration and greater security against break-ins

Style

Contemporary (#9001A4B)

Sash

Tilt-in sash for easy cleaning

Glass

- 7 Energy efficient double glazed glass with 16 mm (5/8") air space (triple sealed units not available)

Screen

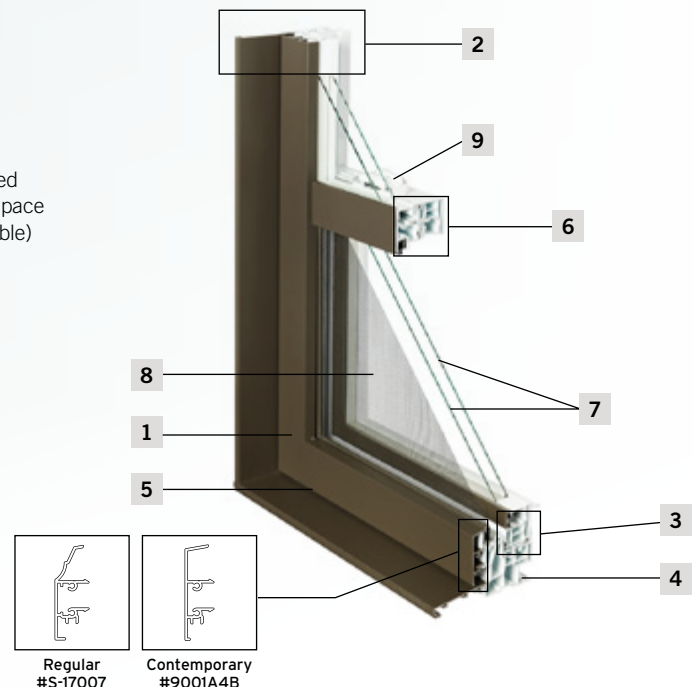
- 8 Colored aluminum frame with fiberglass screen

Mechanism

Drop-in balance

Hardware

- 9 Latches with automatic safety lock



Double Hung



This state-of-the-art design blends PVC and aluminum to offer remarkable durability and multiple arrangement options. It also comes in a variety of colors.

Hybrid windows provide optimal energy efficiency through their frame and multi-chamber sash design. Their resistance to sunlight keeps them looking like new, season after season.

Double Hung windows include two operating sashes sliding vertically in frame. In addition, these sashes can tilt-in for easy cleaning.

OPTIONS

Frames

- 114 mm (4 1/2")
- 143 mm (5 5/8")

Styles

- Regular (#S-17007)
- Contemporary (#9001A4B)

Mouldings

- Exterior brickmoulds
- Interior finishing mouldings
- Brickmoulds open for siding
- 4" brickmoulds open for siding

Grills

- Integrated

Divided lights

- Simulated divided lights
 - 50 mm (2")
- True divided lights
 - 50 mm (2")



Color selection

TECHNICAL SPECIFICATIONS

Frame

143 mm (5 5/8")

Modular assembly

- 1 All PVC and aluminum window
- 2 Profiles with multiple air chambers for optimal thermal insulation
- 3 Triple weatherstripping on sash for maximum air and watertightness
- 4 Integrated 1/2" and 3/4" J-strips on the frame
- 5 Integrated water drainage system
- 6 Center-meeting rail system for improved protection against air infiltration and greater security against break-ins

Style

Contemporary (#9001A4B)

Sashes

Tilt-in sashes for easy cleaning

Glass

- 7 Energy efficient double glazed glass with 16 mm (5/8") air space (triple sealed units not available)

Screen

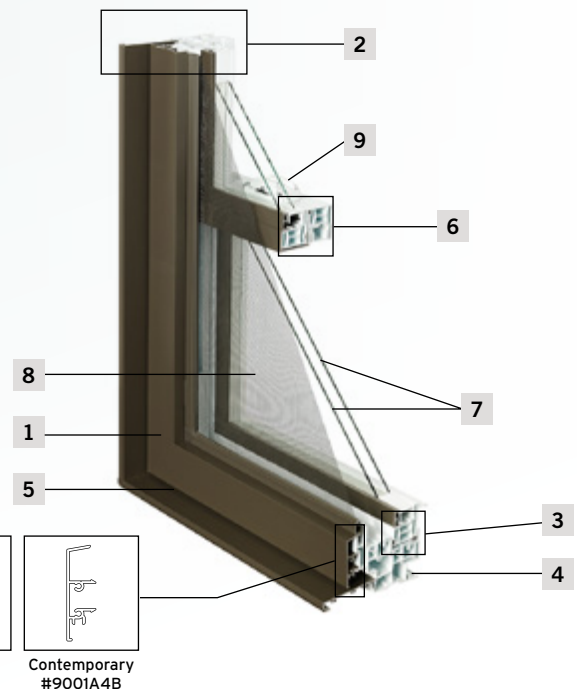
- 8 Colored aluminum frame with fiberglass screen

Mechanism

Drop-in balance

Hardware

- 9 Latches with automatic safety lock



Single Slider



This state-of-the-art design blends PVC and aluminum to offer remarkable durability and multiple arrangement options. It also comes in a variety of colors.

Hybrid windows provide optimal energy efficiency through their frame and multi-chamber sash design. Their resistance to sunlight keeps them looking like new, season after season.

Single Slider windows include a fixed and a operating sash sliding horizontally in frame.

OPTIONS

Frames

- 114 mm (4 1/2")
- 143 mm (5 5/8")

Styles

- Regular (#S-17007)
- Contemporary (#9001A4B)

Mouldings

- Exterior brickmoulds
- Interior finishing mouldings
- Brickmoulds open for siding
- 4" brickmoulds open for siding

Grills

- Integrated

Divided lights

- Simulated divided lights
 - 50 mm (2")
- True divided lights
 - 50 mm (2")



TECHNICAL SPECIFICATIONS

Frame

143 mm (5 5/8")

Modular assembly

- 1 All PVC and aluminum window
- 2 Profiles with multiple air chambers for optimal thermal insulation
- 3 Triple weatherstripping on sash for maximum air and watertightness
- 4 Integrated 1/2" and 3/4" J-strips on the frame
- 5 Integrated water drainage system
- 6 Center-meeting rail system for improved protection against air infiltration and greater security against break-ins

Style

Contemporary (#9001A4B)

Sash

Removable sash for easy cleaning

Glass

- 7 Energy efficient double glazed glass with 16 mm (5/8") air space (triple sealed units not available)

Screen

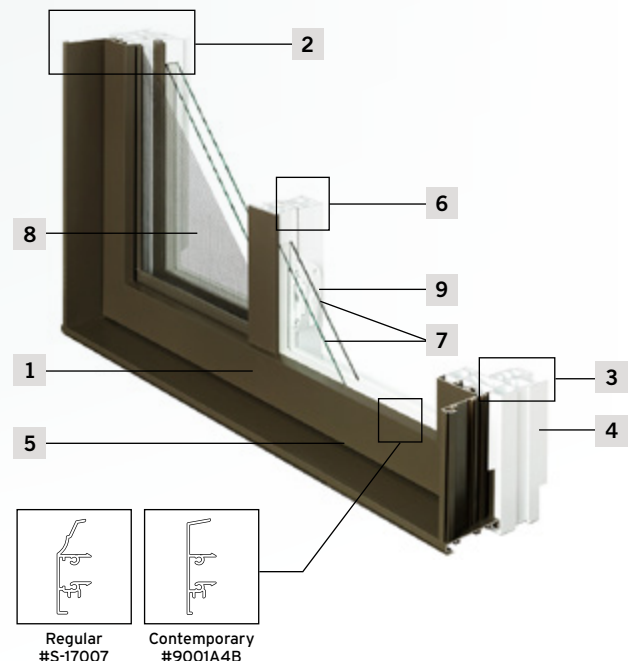
- 8 Colored aluminum frame with fiberglass screen

Mechanism

Slider on rollers

Hardware

- 9 Latches with automatic safety lock



Double Slider



This state-of-the-art design blends PVC and aluminum to offer remarkable durability and multiple arrangement options. It also comes in a variety of colors.

Hybrid windows provide optimal energy efficiency through their frame and multi-chamber sash design. Their resistance to sunlight keeps them looking like new, season after season.

Double Slider windows include two operating sashes sliding horizontally in frame. In addition, these sashes can tilt-in for easy cleaning.

OPTIONS

Frames

- 114 mm (4 1/2")
- 143 mm (5 5/8")

Styles

- Regular (#S-17007)
- Contemporary (#9001A4B)

Mouldings

- Exterior brickmoulds
- Interior finishing mouldings
- Brickmoulds open for siding
- 4" brickmoulds open for siding

Grills

- Integrated

Divided lights

- Simulated divided lights
 - 50 mm (2")
- True divided lights
 - 50 mm (2")



TECHNICAL SPECIFICATIONS

Frame

143 mm (5 5/8")

Modular assembly

- 1 All PVC and aluminum window
- 2 Profiles with multiple air chambers for optimal thermal insulation
- 3 Triple weatherstripping on sash for maximum air and watertightness
- 4 Integrated 1/2" and 3/4" J-strips on the frame
- 5 Integrated water drainage system
- 6 Center-meeting rail system for improved protection against air infiltration and greater security against break-ins

Style

Contemporary (#9001A4B)

Sashes

Removable sashes for easy cleaning

Glass

- 7 Energy efficient double glazed glass with 16 mm (5/8") air space (triple sealed units not available)

Screen

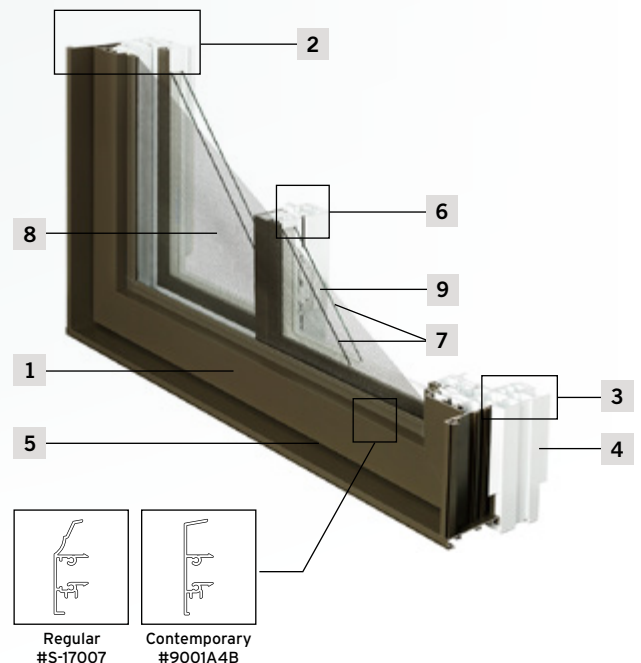
- 8 Colored aluminum frame with fiberglass screen

Mechanism

Sliders on rollers

Hardware

- 9 Latches with automatic safety lock



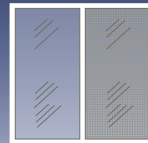




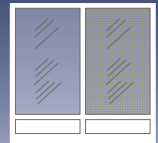
PATIO DOORS

PVC

A series of high performance products, weatherproof and build with a thermal efficiency that meets the highest standards in the industry. Elite door products allow for substantial savings in energy costs as well as meeting all elegance and reliability requirements.



1



2

1 Standard Patio Doors

- ▶ Wood and PVC | DECKO CLASSIC
- ▶ All PVC | DECKO HYBRID

2 Garden Patio Doors

- ▶ Wood and PVC | DECKO CLASSIC
- ▶ All PVC | DECKO HYBRID

Wood and PVC | DECKO CLASSIC

Standard Patio Doors



Made with all-PVC sash, Decko Classic Patio doors exceed the highest standards to meet reliability and special esthetic needs.

Their ease of use, durability, and superior performance ensure maximum comfort, reduced heating and air conditioning costs, easy maintenance, and total satisfaction.

OPTIONS

Frames*

- 140 mm (5 1/2")
- 184 mm (7 1/4")

Glazing

- Double glazing
- Triple-sealed glazing
- Energy efficient glass

Brickmoulds

- Pine
- PVC

Grills

- Integrated

Exterior Cladding

- PVC

Interior Cladding

- PVC

Handles

- Color selection
- Multi-point

Locking Systems

- Key lock
- Security bar
- Lock at sill

Sill

- 32 mm (1 1/4") sill extension



Can be painted the color of your choice

* Special frames available

TECHNICAL SPECIFICATIONS

- 1 Thick and solid multichamber structure for heightened thermal efficiency and soundproofing
- 2 White PVC panels
- 3 Exclusive patented high performance drainage system integrated into the bottom sill
- 4 Exclusive sliding system with two adjustable 1" wheels for smooth and silent operation

Triple weatherstripping at side rails and three-point weatherstripping at meeting rails for superior insulation

Frame

- 5 Pine frame

Glazing

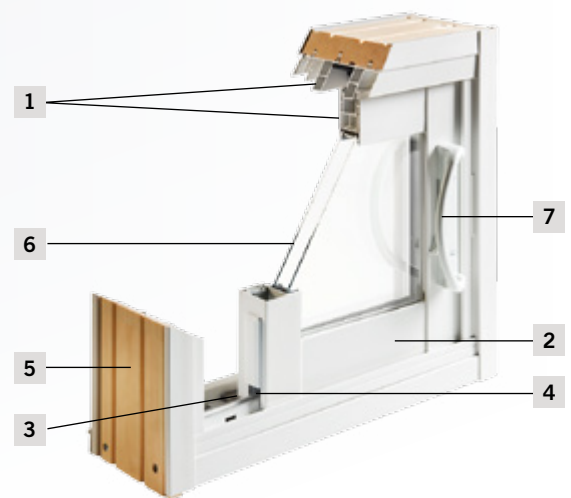
- 6 Energy efficient double-glazed glass

Screen

Patented suspension system that keeps the adjustable insect screen operating smoothly in its tracks and features stainless steel screws and springs in the four corners

Hardware

- 7 White mortise handle



All PVC | DECKO HYBRID

Standard Patio Doors



Made with all-PVC sash, Decko Hybrid Patio doors exceed the highest standards to meet reliability and special esthetic needs.

Their ease of use, durability, and superior performance ensure maximum comfort, reduced heating and air conditioning costs, easy maintenance, and total satisfaction.

OPTIONS

Glazing

- Double glazing
- Triple-sealed glazing
- Energy efficient glass

Brickmoulds

- PVC

Grills

- Integrated

Handles

- Color selection
- Multi-point

Locking Systems

- Key lock
- Security bar
- Lock at sill

Sill

- 32 mm (1 1/4") sill extension



Can be painted the color of your choice

TECHNICAL SPECIFICATIONS

- 1 Thick and solid multichamber structure for heightened thermal efficiency and soundproofing
- 2 White PVC panels
- 3 Exclusive patented high performance drainage system integrated into the bottom sill
- 4 Exclusive sliding system with two adjustable 1" wheels for smooth and silent operation

Triple weatherstripping at side rails and three-point weatherstripping at meeting rails for superior insulation

Frame

- 5 White PVC 116 mm (4 9/16")

Glazing

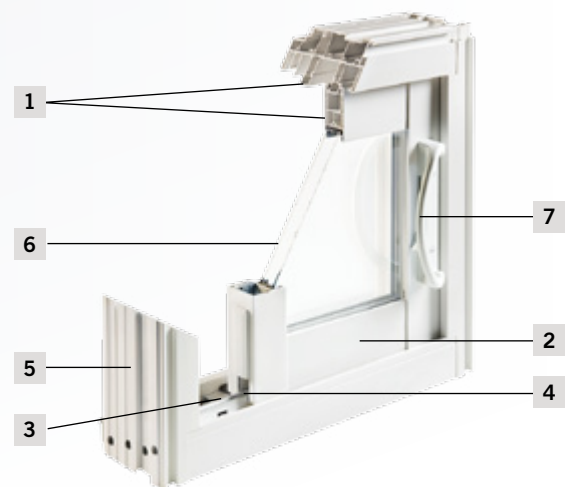
- 6 Energy efficient double-glazed glass

Screen

Patented suspension system that keeps the adjustable insect screen operating smoothly in its tracks and features stainless steel screws and springs in the four corners

Hardware

- 7 White mortise handle



Wood and PVC | DECKO CLASSIC

Garden Patio Doors



Made with all-PVC sash, Decko Classic Garden Patio doors exceed the highest standards to meet reliability and special esthetic needs. They are also featured with attractive insulated decorative panels that give a personal and attractive touch. Their ease of use, durability, and superior performance ensure maximum comfort, reduced heating and air conditioning costs, easy maintenance, and total satisfaction.

OPTIONS

Frames*

- 140 mm (5 1/2")
- 184 mm (7 1/4")

Glazing

- Double glazing
- Triple-sealed glazing
- Energy efficient glass

Brickmoulds

- Pine
- PVC

Grills

- Integrated

Exterior Cladding

- PVC

Interior Cladding

- PVC

Handles

- Color selection
- Multi-point

Locking Systems

- Key lock
- Security bar
- Lock at sill

Sill

- 32 mm (1 1/4") sill extension



Can be painted the color of your choice

* Special frames available

TECHNICAL SPECIFICATIONS

- 1 Thick and solid multichamber structure for heightened thermal efficiency and soundproofing
- 2 White PVC panels
- 3 Exclusive patented high performance drainage system integrated into the bottom sill
- 4 Exclusive sliding system with two adjustable 1" wheels for smooth and silent operation

Triple weatherstripping at side rails and three-point weatherstripping at meeting rails for superior insulation

Frame

- 5 Pine frame

Glazing

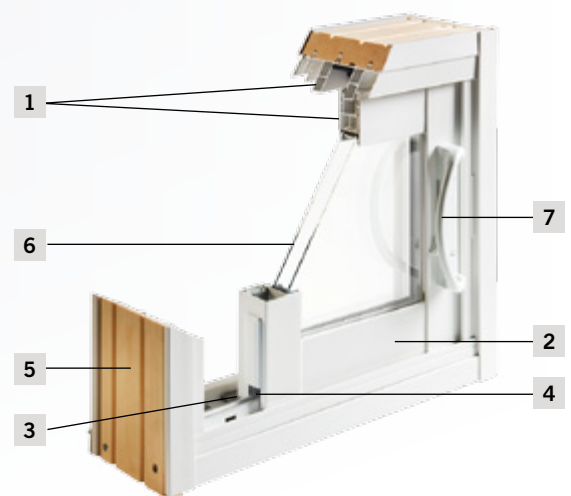
- 6 Energy efficient double-glazed glass

Screen

Patented suspension system that keeps the adjustable insect screen operating smoothly in its tracks and features stainless steel screws and springs in the four corners

Hardware

- 7 White mortise handle



All PVC | DECKO HYBRID

Garden Patio Doors



Made with all-PVC sash, Decko Hybrid Garden Patio doors exceed the highest standards to meet reliability and special esthetic needs. They are also featured with attractive insulated decorative panels that give a personal and attractive touch. Their ease of use, durability, and superior performance ensure maximum comfort, reduced heating and air conditioning costs, easy maintenance, and total satisfaction.

OPTIONS

Glazing

- Double glazing
- Triple-sealed glazing
- Energy efficient glass

Brickmoulds

- PVC

Grills

- Integrated

Handles

- Color selection
- Multi-point

Locking Systems

- Key lock
- Security bar
- Lock at sill

Sill

- 32 mm (1 1/4") sill extension



Can be painted the color of your choice

TECHNICAL SPECIFICATIONS

- 1 Thick and solid multichamber structure for heightened thermal efficiency and soundproofing
- 2 White PVC panels
- 3 Exclusive patented high performance drainage system integrated into the bottom sill
- 4 Exclusive sliding system with two adjustable 1" wheels for smooth and silent operation

Triple weatherstripping at side rails and three-point weatherstripping at meeting rails for superior insulation

Frame

- 5 White PVC 116 mm (4 9/16")

Glazing

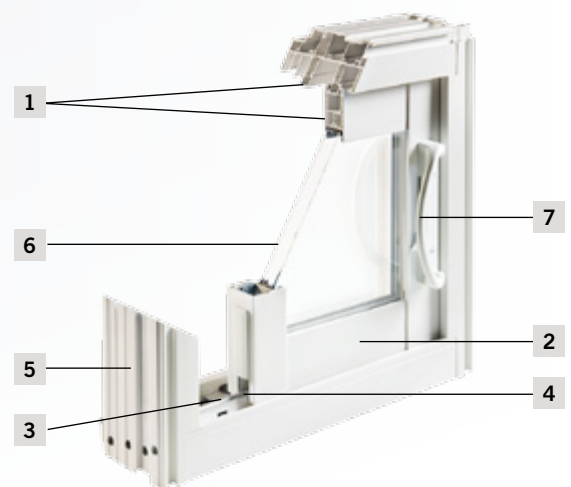
- 6 Energy efficient double-glazed glass

Screen

Patented suspension system that keeps the adjustable insect screen operating smoothly in its tracks and features stainless steel screws and springs in the four corners

Hardware

- 7 White mortise handle







DOORS

Steel or Fiber

Solid, energy efficient, and practical, Elite doors offer a wide array of finishes, sizes, and glazing options, making them perfect for all types of buildings. Whether you prefer steel or fiber doors, our products are designed to meet your needs and please all tastes, from the most classical to the most daring.



1

1 Steel Doors

- ▶ Single and Combined
- ▶ Double and Garden



2

2 Fiber Doors

- ▶ Single and Combined
- ▶ Double and Garden

Single and Combined Steel Doors



With exterior steel doors, a world of choice opens up to you. Classic or modern, conventional or daring, you decide. Choose from solid or pattern finishes and single or multiple glazing, and combine them with angles, curves, and transoms for a look that's right for you. Also, adding a lateral panel to Single door will offer a better luminosity and gives your project that special look.

Single and Combined steel doors use only the very finest materials to offer maximum security, efficient insulation, and impeccable ease of use.

OPTIONS

Frames

- Thickness choice*
- Depth choice*
- 118 mm to 235 mm (4 5/8" to 9 1/4")

Glazing

- Double glazing
- Triple-sealed glazing
- Decorative glazing
- Energy efficient glass

Brickmoulds

- Pine
- PVC
- Aluminum (color selection)

Exterior Cladding

- PVC
- Aluminum (color selection)

Interior Cladding

- PVC

Sills

- Depth choice*
- 50 mm (2") sill extension
- 118 mm to 260 mm (4 5/8" to 10 1/4")
- Color selection



* Ask your representative

TECHNICAL SPECIFICATIONS

- 1 Injected rigid polyurethane foam insulation
 - 2 Thermal break with solid, kiln-dried pine side and head jambs
 - 3 24 gauge hot-dip galvanized steel cladding
 - 4 Adjustable bottom weatherstripping
- Energy efficient value of 0.14/0.01 (without glazing)
- Superior, factory-applied primer on steel layers

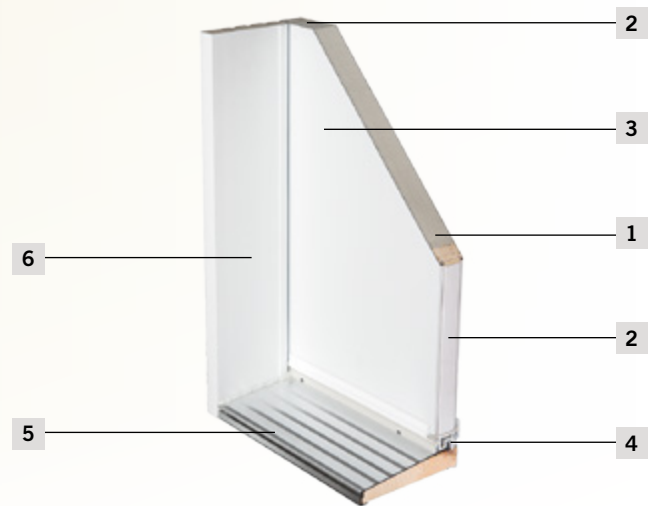
- Full-frame compression and magnetic weatherstripping
- 5 Inclined sill with integrated thermal break
 - 6 Aluminum or PVC exterior cladding

Frame

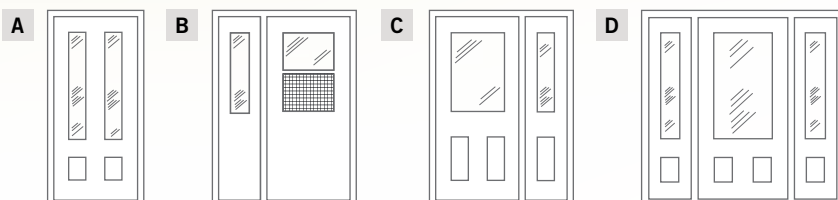
Pine 184 mm (7 1/4")

Sill

Aluminum (natural) 184 mm (7 1/4")



POSSIBLE CONFIGURATIONS (Ask your representative)



- A** Single Door
- B** Combined Door with lateral panel to the left
- C** Combined Door with lateral panel to the right
- D** Combined Door with lateral panels to the left and to the right

Double and Garden Steel Doors



With exterior steel doors, a world of choice opens up to you. Classic or modern, conventional or daring, you decide. Choose from solid or pattern finishes and single or multiple glazing, and combine them with angles, curves, and transoms for a look that's right for you.

Double doors offer a better luminosity and or Garden doors, with their sliding screen, are a great substitute to the Patio door. Double and Garden steel doors use only the very finest materials to offer maximum security, efficient insulation, and impeccable ease of use.

OPTIONS

Frames

- Thickness choice*
- Depth choice*
- 118 mm to 235 mm (4 5/8" to 9 1/4")

Glazing

- Double glazing
- Triple-sealed glazing
- Decorative glazing
- Energy efficient glass

Center posts

- Fixed
- Removable (astragal)

Brickmoulds

- Pine
- PVC
- Aluminum (color selection)

Exterior Cladding

- PVC
- Aluminum (color selection)

Interior Cladding

- PVC

Sills

- Depth choice*
- 50 mm (2") sill extension
- 118 mm to 260 mm (4 5/8" to 10 1/4")
- Color selection



* Ask your representative

TECHNICAL SPECIFICATIONS

1 Injected rigid polyurethane foam insulation

2 Thermal break with solid, kiln-dried pine side and head jambs

3 24 gauge hot-dip galvanized steel cladding

Energy efficient value of 0.14/0.01 (without glazing)

Superior, factory-applied primer on steel layers

4 Adjustable bottom weatherstripping

Full-frame compression and magnetic weatherstripping

5 Inclined sill with integrated thermal break

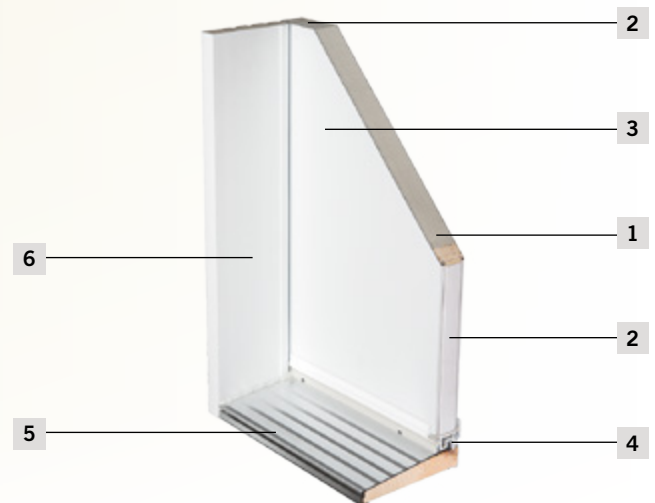
6 Aluminum or PVC exterior cladding

Frame

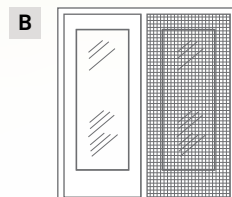
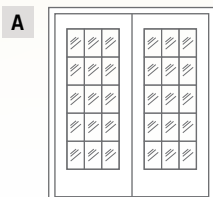
Pine 184 mm (7 1/4")

Sill

Aluminum (natural) 184 mm (7 1/4")



POSSIBLE CONFIGURATIONS (Ask your representative)



A Double Doors

B Garden Doors

Single and Combined Fiber Doors



Exterior fiber doors collection is distinct by his authentic wood appearance that gives prestigious looking. Made of high definition fiberglass, his finish can be combined with a wide array of decorative glazing. Also, adding a lateral panel to Single door will offer a better luminosity and will give character to your project.

Single and Combined fiber doors use only the very finest materials to offer maximum security, efficient insulation, and impeccable ease of use.

OPTIONS

Frames

- Thickness choice*
- Depth choice*
- 118 mm to 235 mm (4 5/8" to 9 1/4")

Glazing

- Double glazing
- Triple-sealed glazing
- Decorative glazing
- Energy efficient glass

Brickmoulds

- Pine
- PVC
- Aluminum (color selection)

Exterior Cladding

- PVC
- Aluminum (color selection)

Interior Cladding

- PVC

Sills

- Depth choice*
- 50 mm (2") sill extension
- 118 mm to 260 mm (4 5/8" to 10 1/4")
- Color selection



* Ask your representative

TECHNICAL SPECIFICATIONS

1 Injected rigid polyurethane foam insulation

2 Thermal break with solid, kiln-dried pine side and head jambs

3 Glass fiber cladding

Energy efficient value of 0.15/0.01 (without glazing)

4 Adjustable bottom weatherstripping

Full-frame compression and magnetic weatherstripping

5 Inclined sill with integrated thermal break

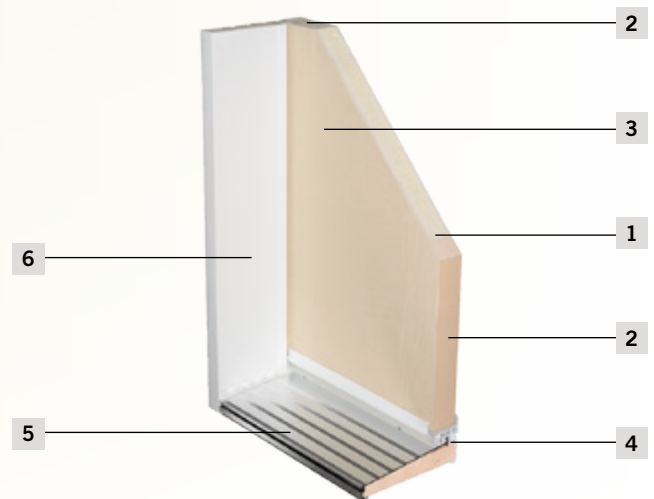
6 Aluminum or PVC exterior cladding

Frame

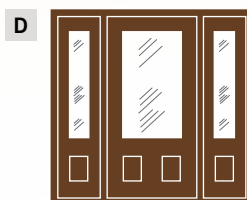
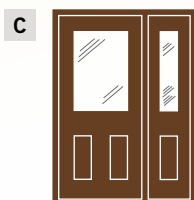
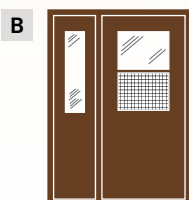
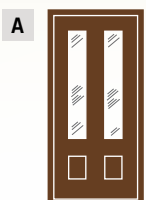
Pine 184 mm (7 1/4")

Sill

Aluminum (natural) 184 mm (7 1/4")



POSSIBLE CONFIGURATIONS (Ask your representative)



A Single Door

B Combined Door with lateral panel to the left

C Combined Door with lateral panel to the right

D Combined Door with lateral panels to the left and to the right

Double and Garden Fiber Doors



Exterior fiber doors collection is distinct by his authentic wood appearance that gives prestigious looking. Made of high definition fiberglass, his finish can be combined with a wide array of decorative glazing.

Double doors offer a better luminosity and or Garden doors, with their sliding screen, are a great substitute to the Patio door. Double and Garden fiber doors use only the very finest materials to offer maximum security, efficient insulation, and impeccable ease of use.

OPTIONS

Frames

- Thickness choice*
- Depth choice*
- 118 mm to 235 mm (4 5/8" to 9 1/4")

Glazing

- Double glazing
- Triple-sealed glazing
- Decorative glazing
- Energy efficient glass

Center posts

- Fixed
- Removable (astragal)

Brickmoulds

- Pine
- PVC
- Aluminum (color selection)

Exterior Cladding

- PVC
- Aluminum (color selection)

Interior Cladding

- PVC

Sills

- Depth choice*
- 50 mm (2") sill extension
- 118 mm to 260 mm (4 5/8" to 10 1/4")
- Color selection



* Ask your representative

TECHNICAL SPECIFICATIONS

1 Injected rigid polyurethane foam insulation

2 Thermal break with solid, kiln-dried pine side and head jambs

3 Glass fiber cladding

Energy efficient value of 0.15/0.01 (without glazing)

4 Adjustable bottom weatherstripping

Full-frame compression and magnetic weatherstripping

5 Inclined sill with integrated thermal break

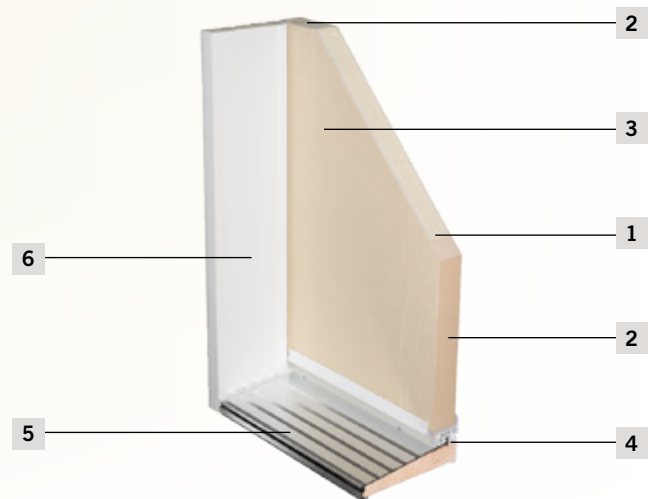
6 Aluminum or PVC exterior cladding

Frame

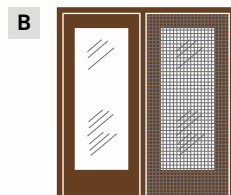
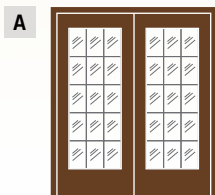
Pine 184 mm (7 1/4")

Sill

Aluminum (natural) 184 mm (7 1/4")



POSSIBLE CONFIGURATIONS (Ask your representative)



A Double Doors

B Garden Doors





APPENDICES

Windows and Doors

The choice of windows and doors have a major impact on the look of an existing or a new home. It's also a choice that will affect the comfort level and energy efficiency of your home.

That's why it's important to increase your knowledge about characteristics and options related to different products and to be acquaint with advices of our highly qualified personnel, always capable of giving you all the technical support you need.

- ▶ [Details | Windows](#)
- ▶ [Details | Doors](#)
- ▶ [Mouldings Finishing](#)
- ▶ [Architectural Elements](#)
- ▶ [Energy Efficiency](#)
- ▶ [Products Care](#)
- ▶ [Services](#)
- ▶ [Warranties](#)

Details | Windows Hardware



Attractive and practical, Elite uses opening and closing hardware that is robust for a maximum durability. With a wide array of colors that blends in nicely with your windows. The Multi-Point locking mechanism offers a better fit on the weatherstrip improving the air and watertightness.

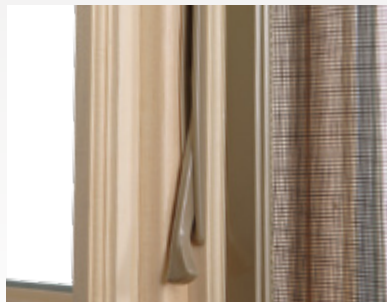
Tradition Windows



Truth hardware's bronze *ENCORE* line



Hung handle



Multi-point lock



Hung dual action lock

Horizon and Hybrid Windows



Stainless steel LTS mechanism with folding handle



Multi-point lock



Hung and Slider lock

Details | Doors

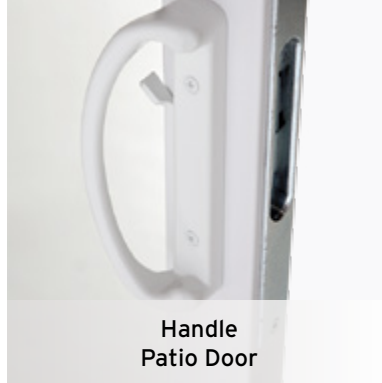
Handles, Glazing, Sills and Finishing



Aesthetic and tight, the steel and fiber doors, Single and Combined, Double and Garden, with or without lateral panels, will offer that stylish look to your project. A large array of decorative glazings will give you the opportunity to have that unique door to your house. The resistant Patio doors made of first quality material will offer you a good energy efficiency and a great comfort.



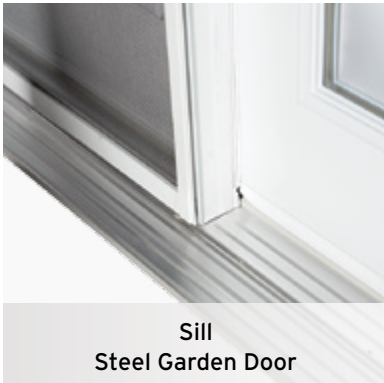
Insect screen handle
Garden Door



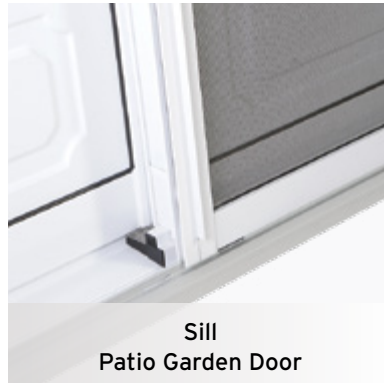
Handle
Patio Door



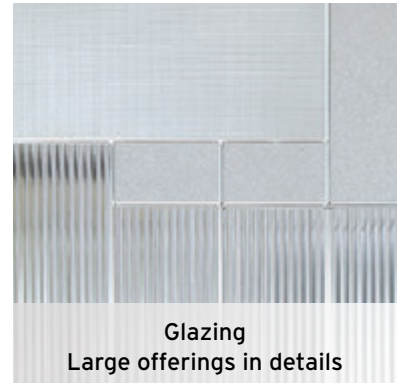
Frame
Steel Garden Door



Sill
Steel Garden Door



Sill
Patio Garden Door



Glazing
Large offerings in details



Clear or black anodized sill



Color selection
Steel doors

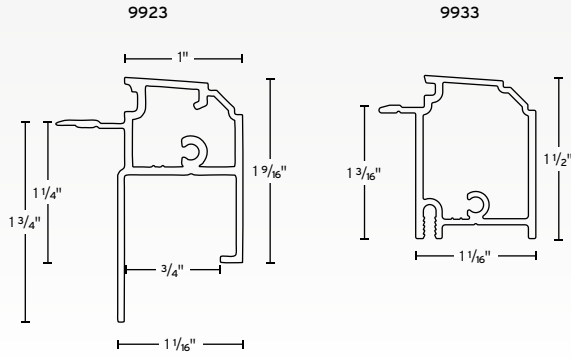


Stain selection
Fiber doors

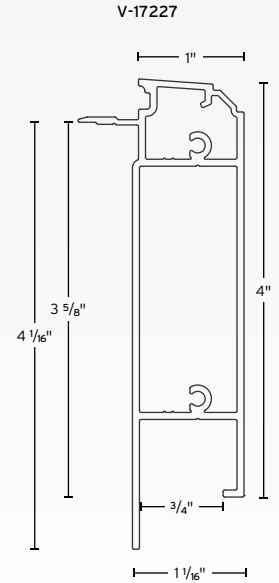
Mouldings Finishing



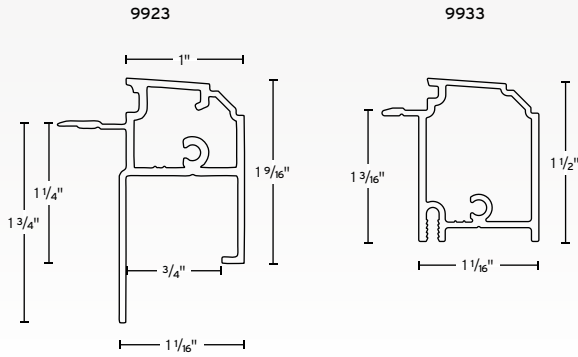
Tradition Windows



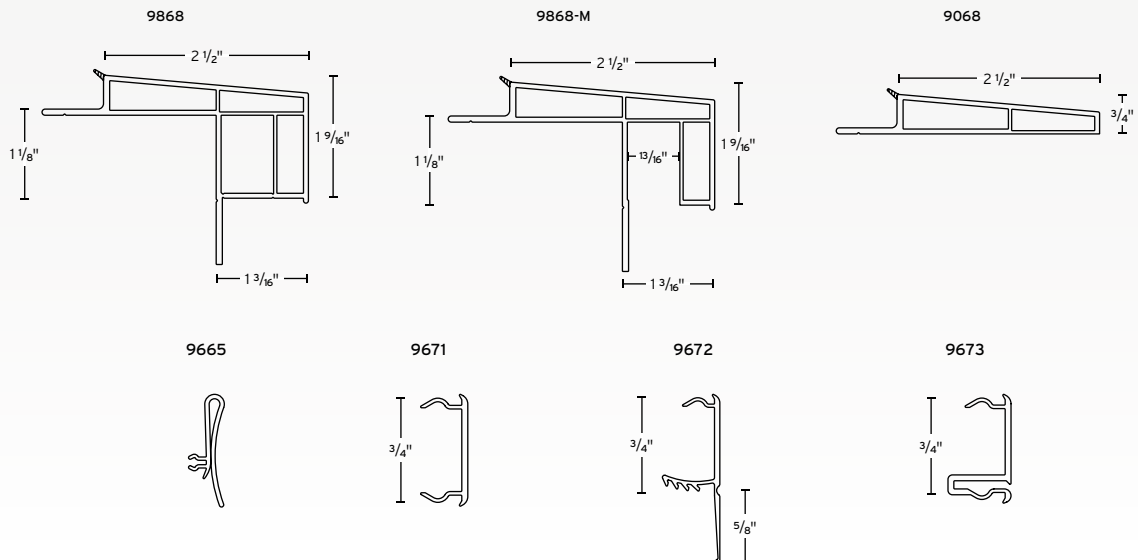
Tradition and Hybrid Windows



Hybrid Windows



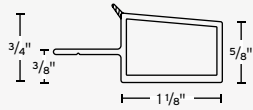
Horizon Windows



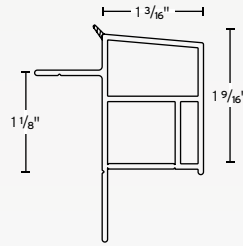


Doors and Horizon Windows

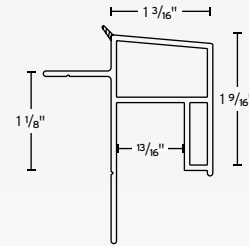
9668-G



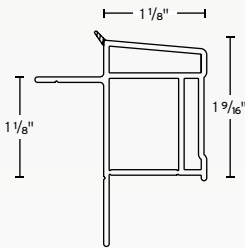
9768



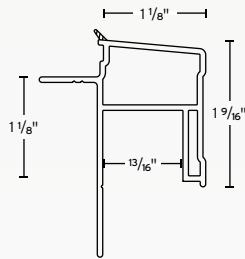
9768-M



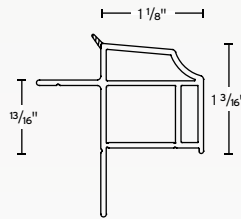
9691



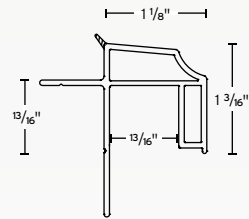
9691-M



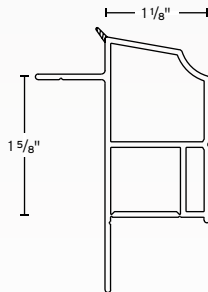
9690



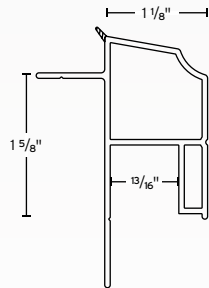
9690-M



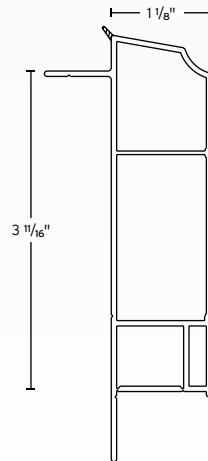
9568



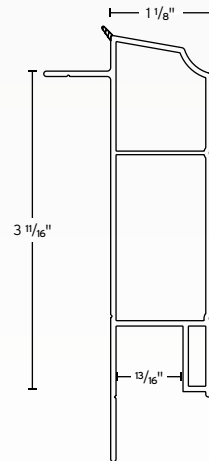
9568-M



9468



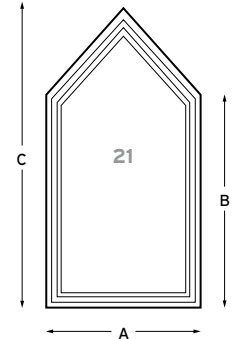
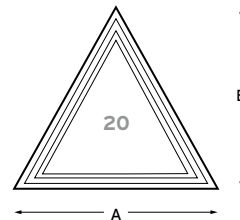
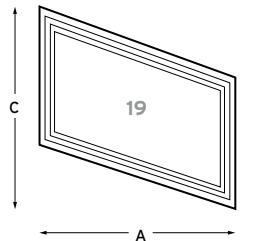
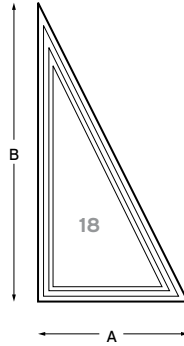
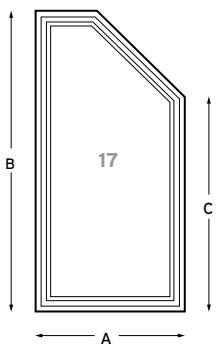
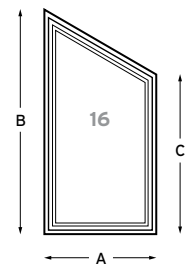
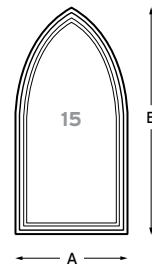
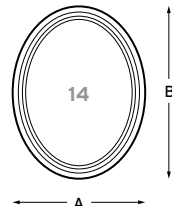
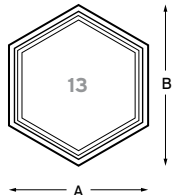
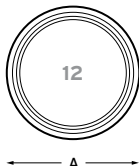
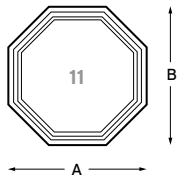
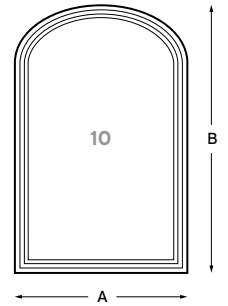
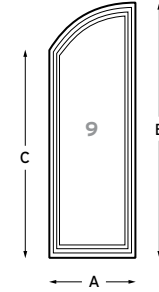
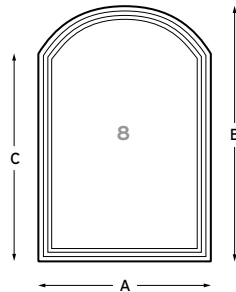
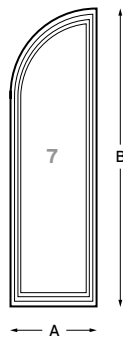
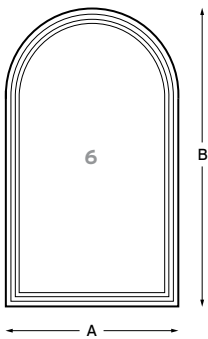
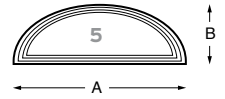
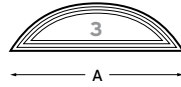
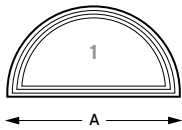
9468-M



Architectural Elements



Available in a wide array of shapes, architectural windows are an excellent way to add a personalized touch to your home. These sealed glass windows can complement existing window arrangements or stand alone to improve the lighting and look of a room.



Energy Efficiency Tradition Windows



Performance Tests

In order to assist you in making the right choice, you will find below typical performance tests results of our Tradition range products, in air and water infiltration resistance, wind load resistance and security.

TYPE OF WINDOWS	Grade (NAFS-08)	Wind load resistance	Water infiltration resistance	Wind load resistance	Forced entry resistance	Energy Star climate zones	Energy rating (ER)	U-Factor		SHGC Factor
								W/m ² •K	Btu/h•pi ² •°F	
TRADITION										
Casement	CW - PG45	A3	B7	C3	F20	1 2	29	1.7	0.3	0.47
Awning	CW - PG50	A3	B7	C3	F20	1 2	29	1.7	0.3	0.46
Single Hung	R-PG45	A3	B3	C3	F20	1 2	31	1.7	0.3	0.5
Double Hung	R-PG45	A3	B3	C3	F20	1 2	31	1.7	0.3	0.5

Test results obtained in compliance with AAMA/WDMA/CSA 101/I.S.2/A440-11 (NAFS 2011).

Information provided for reference only – Please confirm for your specific products with one of our representatives.

Energy Efficiency Horizon Windows



Performance Tests

In order to assist you in making the right choice, you will find below typical performance tests results of our Horizon range products, in air and water infiltration resistance, wind load resistance and security.

TYPE OF WINDOWS	Grade (NAFS-08)	Wind load resistance	Water infiltration resistance	Wind load resistance	Forced entry resistance	Energy Star climate zones	Energy rating (ER)	U-Factor		SHGC Factor
								W/m ² •K	Btu/h•pi ² •°F	
HORIZON										
Casement	R-PG40-C	A3	B7	C3	F20	1 2	32	1.65	0.29	0.49
Awning	LC-PG50-AP	A3	B7	C3	F20	1 2	30	1.7	0.3	0.49
Single Hung	R-PG45-H	A3/F	B3	C3	F20	1 2	33	1.7	0.3	0.54
Double Hung	R-PG40-H	A3	B3	C4	F20	1 2	31	1.76	0.31	0.52
Single Slider	R-PG35-HS	A3/F	B2	C4	F20	1 2	33	1.7	0.3	0.54
Double Slider	R-PG35-HS	A3	B2	C3	F20	1 2	32	1.7	0.3	0.52

Test results obtained in compliance with AAMA/WDMA/CSA 101/I.S.2/A440-11 (NAFS 2011).

Information provided for reference only – Please confirm for your specific products with one of our representatives.

Energy Efficiency Hybrid Windows



Performance Tests

In order to assist you in making the right choice, you will find below typical performance tests results of our Hybrid range products, in air and water infiltration resistance, wind load resistance and security.

TYPE OF WINDOWS	Grade (NAFS-08)	Wind load resistance	Water infiltration resistance	Wind load resistance	Forced entry resistance	Energy Star climate zones	Energy rating (ER)	U-Factor		SHGC Factor
								W/m ² •K	Btu/h•pi ² •°F	
HYBRID										
Casement	CW-CP80-C	A3	B7	C5	F20	1 2	30	1.7	0.3	0.49
Awning	LC-CP45-AP	A3	B7	C3	F20	1 2	29	1.76	0.31	0.49
Single Hung	R-CP45	A3/F	B3	C4	F20	1 2	32	1.76	0.31	0.54
Double Hung	R-CP40	A3	B2	C3	F20	1 2	31	1.76	0.31	0.52
Single Slider	R-CP35-HS	A3/F	B2	C2	F20	1 2	32	1.76	0.31	0.54
Double Slider	R-CP30-HS	A3	B4	C3	F20	1 2	29	1.76	0.31	0.52

Test results obtained in compliance with AAMA/WDMA/CSA 101/I.S.2/A440-11 (NAFS 2011).

Information provided for reference only – Please confirm for your specific products with one of our representatives.

Energy Efficiency Patio Doors



Performance Tests

In order to assist you in making the right choice, you will find below typical performance tests results of our Patio Doors range products, in air and water infiltration resistance, wind load resistance and security.

TYPE OF PATIO DOORS	Grade (NAFS-08)	Wind load resistance	Water infiltration resistance	Wind load resistance	Forced entry resistance	Energy Star climate zones	Energy rating (ER)	U-Factor		SHGC Factor
								W/m ² •K	Btu/h•pi ² •°F	
PATIO DOORS										
DECKO CLASSIC C	R-PG45	A3	B4	C2	F20	1 2 3	34	1.70	0.3	0.55
DECKO HYBRID	R-PG55-SD	A3	B4	C3	F20	1 2	31	1.82	0.32	0.55
PH S-800 Standard	R-PG60-SD	A3	B4	C3	F20	1 2	33	1.76	0.31	0.55
PH S-7800 Standard	R-PG60-SD	A3	B4	C3	F20	1 2	33	1.76	0.31	0.55

Test results obtained in compliance with AAMA/WDMA/CSA 101/I.S.2/A440-11 (NAFS 2011).

Information provided for reference only – Please confirm for your specific products with one of our representatives.

Energy Efficiency Doors



Performance Tests

In order to assist you in making the right choice, you will find below typical performance tests results of our Doors range products, in air and water infiltration resistance, wind load resistance and security.

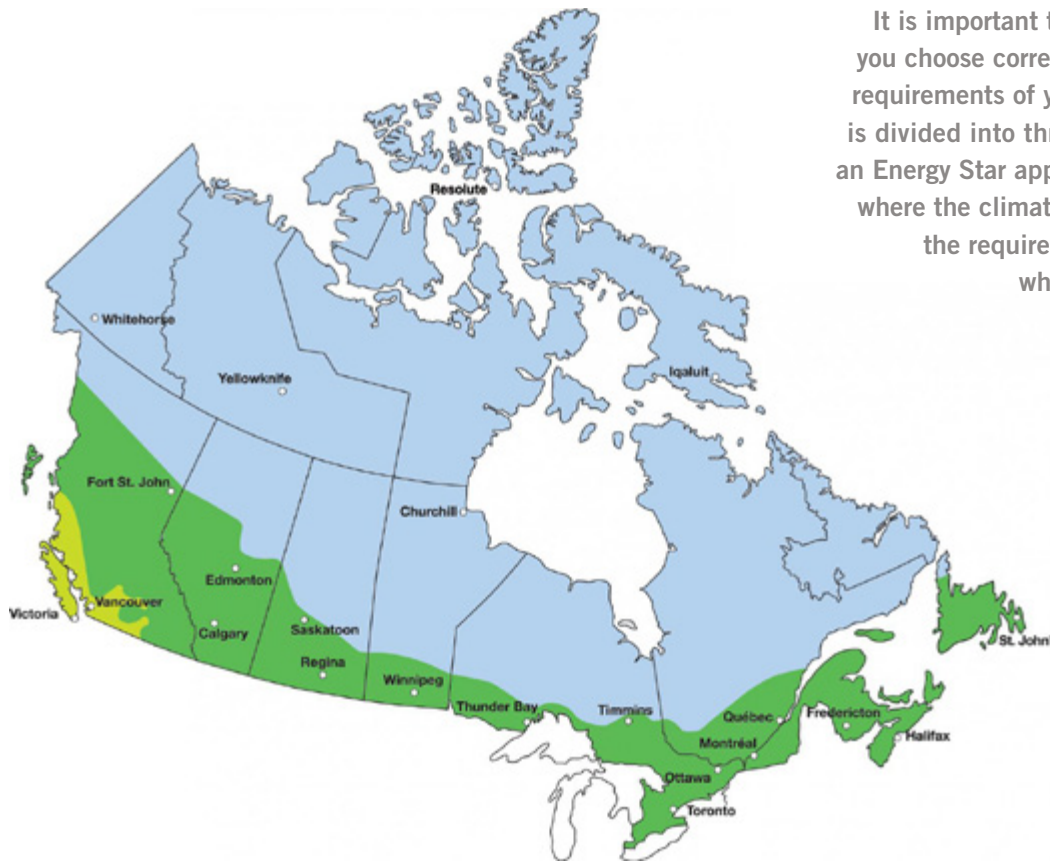
TYPE OF DOORS	Grade (NAFS-08)	Energy Star climate zones	Energy rating (ER)	U-Factor		SHGCFactor
				W/m2•K	Btu/h•pi²•°F	
STEEL AND FIBERGLASS DOORS						
No Glass	LC-PG30-SHD	–	–	–	–	–
1/4 Glass*	LC-PG30-SHD	1 2 3	23	0.91	0.16	0.06
1/2 Glass*	LC-PG30-SHD	1 2 3	23	1.08	0.19	0.12
3/4 Glass*	LC-PG30-SHD	1 2 3	24	1.14	0.2	0.15
Complete Glass	LC-PG30-SHD	1 2	23	1.31	0.23	0.2

Test results obtained in compliance with AAMA/WDMA/CSA 101/I.S.2/A440-11 (NAFS 2011).

Information provided for reference only – Please confirm for your specific products with one of our representatives.

* Standard Double Glass (Low-E + argon)

Energy Efficiency Energy Star Climate Zones



It is important to ensure that the product you choose corresponds to the Energy Star requirements of your climate zone. Canada is divided into three zones. A product with an Energy Star approval for Zone 1 (a region where the climate is milder) may not meet the requirements of Zone 3 (a region where the climate is colder).

- Zone 3
- Zone 2
- Zone 1

Products Care



Tips

- Every spring, conduct a visual inspection of your windows.
- Wash the PVC profiles with a mild soap (without abrasive) to prevent discoloration or dullness.
- Check window sealing joints and the joints between the frame and the siding of your home.

To enjoy your Elite products as long as possible, it's important that you perform regular maintenance as specified.

OUTDOOR TEMPERATURE	SUGGESTED INDOOR HUMIDITY LEVELS
-30	15%
-30 to -25	20%
-25 to -18	25%
-18 to -12	30%
-12 to -5	35%
-5 to +5	40%

(Source: CMHC: Canada Mortgage and Housing Corporation)

Helpful Hints

There are a number of ways to control ventilation and humidity in a home. Here are a few examples:

- In the winter, remove the inner screen from your window. Air will circulate more freely around the glass and prevent condensation, especially in the lower corners. If you have drapes or curtains on your windows, open them regularly.
- Warm air from the dryer should be vented outside.
- When preparing meals, turn on your range exhaust fan to help control humidity. The resulting loss in heat is marginal.
- When taking a shower or bath, turn on the bathroom fan. If you don't have a bathroom fan, open the bathroom door to improve air circulation.

Services



Sales Department

The Sales Department includes a team of on the road representatives and a team of courteous inhouse salespeople available during regular business hours. Our staff will be happy to give you advice and answer your questions.

Delivery Service

Elite Windows and Doors Inc. has its own delivery service to guarantee the products are handled with care by competent staff. We have established a daily delivery route in cooperation with our customers to make sure products are received the same day, every week. If necessary, the delivery service can also handle special requests or rush deliveries.

Customer Service

At Elite, the quality of our products is our main priority. To help you take full advantage of this, our Customer Service Department is ready to answer your questions and handle any problems you may have. Your satisfaction is our concern. That's why our Customer Service Department is made up of highly qualified personnel, capable of giving you all the technical support you need.

**HEAVY-DUTY
AND HIGH QUALITY
FENESTRATION
PRODUCTS**



Warranties



The following warranty is for all products made from January 1, 2011 or after and is destined to be used in Canada. All former warranties will continue to be applied to products made by Elite before this date. For more information please call 1-800-463-1955.

This warranty covers

We warranty an Elite product that is found to be defective such as a defective component or a manufacturing defect during the period following the purchase date mentioned here above. Elite will take the decision to repair or replace the product or defective component. The labour (when Elite decides it is necessary), to replace or repair all components, is covered by the warranty for a total of **2 years** beginning at the date of purchase.

Lifetime Warranty on the regular sealed unit, low-e argon, in standard usage and installation conditions, when there is appearance of a film or dirt deposit inside the window. If this is the case Elite will supply a new sealed unit. The Elite warranty does not apply to thermal breakage. Transportation and installation fees may apply.

10 year warranty on replacement sealed unit.

20 year warranty on hardware parts and on PVC extrusions excluding labour and transportation caused by their replacement.

5 year warranty on the wooden window and door frames on all manufacturing defects. This does not include a frame left without protection.

5 year warranty on the Articplus door panels and a **20 year warranty** on the Celcolor door panels.

The warranty relative to our products is provided to the original owner of the residence where the products were installed, as long as he or she remains the owner of the residence.

Transferability

The warranty is transferable in the following way: If you sell your residence, the warranty is valid over a period of **10 years** starting from the date of the original delivery.

Painted exterior finishes

We guarantee that our exterior paints applied in the factory (plant) will be exempt from blistering, erosion and flaking over a **10 year** period. Our exterior paints will not show excessive paint change over a **10 year** period. Note: The warranty does not cover discoloration, the polish, surface damage if the product has been subjected to improper care such as (being washed with) or the usage of natural or chemical solvents or by all environmental factors that could cause such a deterioration.

This warranty does not cover

Elite is not responsible for:

- Normal wear and tear to the hardware caused by faulty manipulation.
- Damage caused by chemical products (solvent and abrasive products).
- Poor efficiency caused by negligent or inadequate usage; damage caused by the absence of maintenance, modifications or alterations done to the window.
- All glass breakage.
- Incorrect or nonstandard installation, malfunctioning problems and problems connected to infiltrations, air and water leaks arising out of the poor or bad installation or relative to problems relating to the conception and or construction of the building.
- Damage caused to the screen by normal usage, abusive or inappropriate usage, or done by an animal.
- Condensation or damages caused by condensation.
Note: Unless the damage is relative to a breakage or defect of the insulated glass, most of the problems relating to the condensation are linked to the high, excessive humidity levels in the buildings. Contact a heating specialist to obtain help or advice.

Our commitment if a problem occurs

As soon as we are informed of the problem, we will send you a confirmation of the work to be done and this within 2 business days following your notification. If it is established that the product in question presents a defect that is not covered by the labour warranty, it is possible that we may demand inspection fees for visits done to the dwelling or building that appear to be necessary or that are requested by you.

Because the materials and fabrication methods can change, it is possible that the replacement parts are not aesthetically identical to the original. The replacement products and parts are covered until the end of the initial warranty of the original product, or over a period of **90 days**, whichever is the longest.

MATERIALS
& *Style*

264, rue Demers
Saint-Gilles (Québec) G0S 2P0

Phone: 418 888-4342
Toll free: 1 800 463-1955

Fax: 418 888-3721
Toll free: 1 800 463-3420

Email: info@elitewindows.com
Website: fenetreselite.com

GRAPHISSIMO.CA | JUNE 2018

elite
WINDOWS AND DOORS

